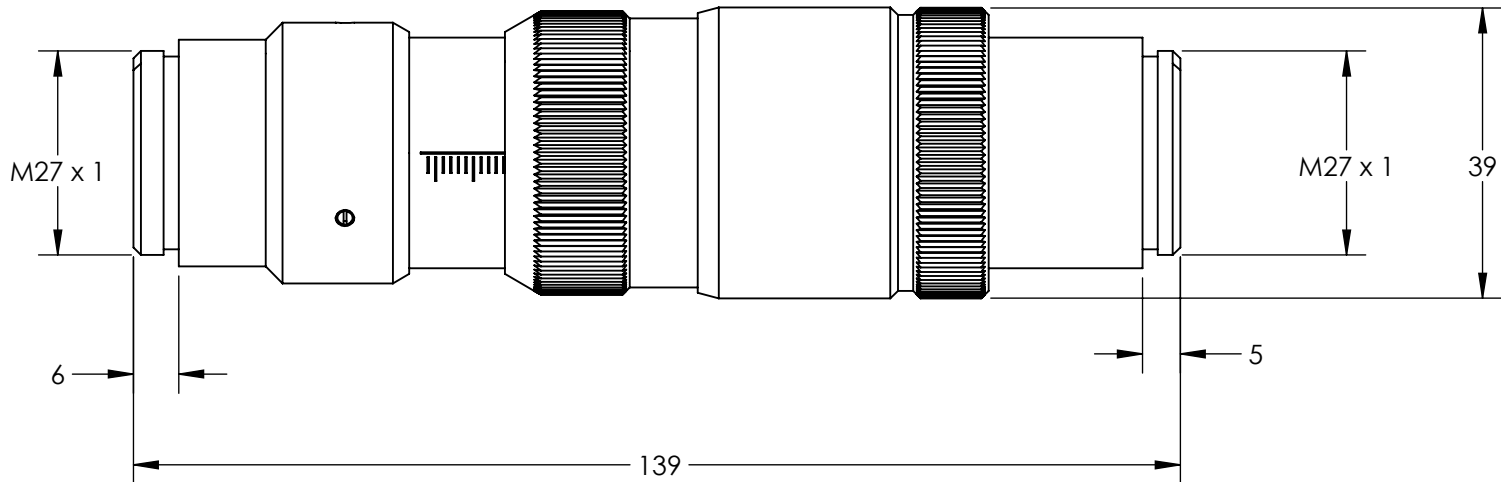
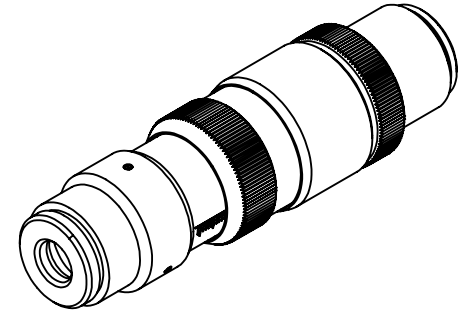


NOTES:

1. RoHS: COMPLIANT

**FOR INFORMATION ONLY:
DO NOT MANUFACTURE
PARTS TO THIS DRAWING**



SPECIFICATIONS SUBJECT TO CHANGE WITHOUT NOTICE
DIMENSIONS ARE FOR REFERENCE ONLY



	VALUE				
DESIGN WAVELENGTH DWL (nm)	532	THIRD ANGLE PROJECTION		TITLE	532nm Flat Top Beam Shaper πShaper 6_6_532
INPUT DIAMETER	6.3mm (1/e ²)	ALL DIMS IN	mm	DWG NO	34257
WAVELENGTH RANGE(nm)	520 - 550				SHEET 1 OF 1