

[All Products](#) / [Optomechanics](#) / [Benchtop Optical Mounts](#) / [Optical Mirror Mounts](#)

E-Series Kinematic Mount Threaded Adapters



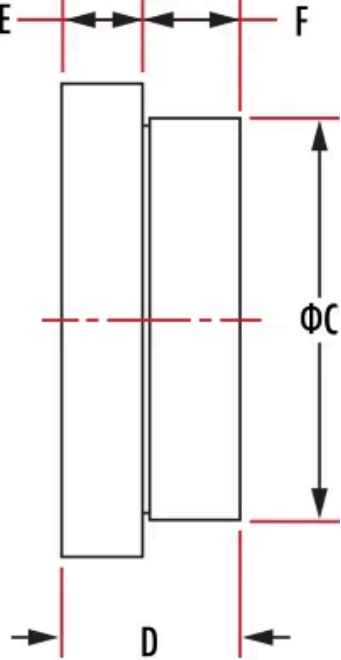
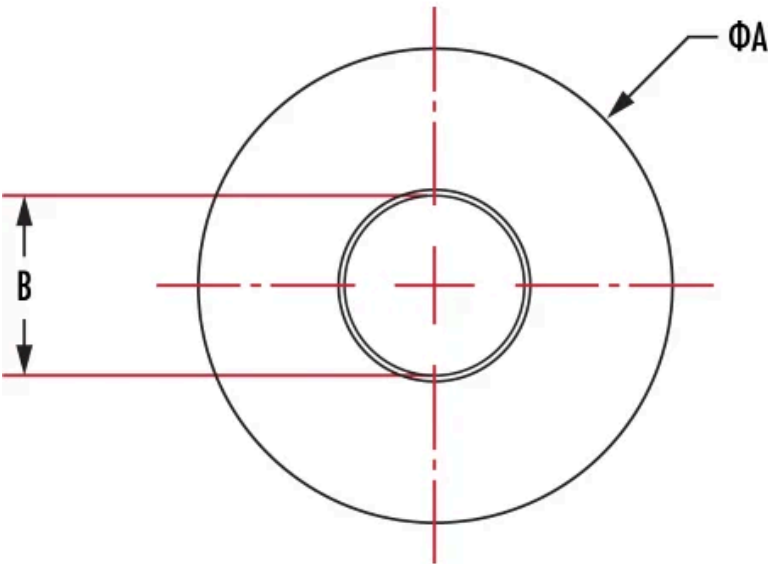
- Adapt Kinematic or [Fixed Mirror Mounts](#) into [Tube Threaded Mounts](#)
- Available with [S-Mount](#), [C-Mount](#), [T-Mount](#), [SM05](#), [SM1](#), and [SM2](#) Threads
- Thru-Hole Versions Available for [Multi-Element Tube System](#) Components

Common Specifications

Construction:

Black Anodized Aluminum

Technical Information



Products

Title	Stock Number	Price	Buy
E-Series S-Mount Adapter	#18-282	C\$31.85 Volume Pricing	20+ In Stock
E-Series C-Mount Adapter	#18-283	C\$33.60 Volume Pricing	16 In Stock
E-Series T-Mount Adapter	#18-284	C\$33.60 Volume Pricing	20+ In Stock
E-Series SM05 Adapter	#18-285	C\$33.60 Volume Pricing	20+ In Stock
E-Series SM1 Adapter	#18-286	C\$33.60 Volume Pricing	12 In Stock
E-Series SM2 Adapter	#18-287	C\$33.60 Volume Pricing	15 In Stock
E-Series 30mm ID Adapter	#18-289	C\$33.60 Volume Pricing	16 In Stock
E-Series 19.1mm ID Adapter	#18-291	C\$33.60 Volume Pricing	3 In Stock



Copyright 2023, Edmund Optics Inc., 101 East Gloucester Pike, Barrington, NJ 08007-1380 USA

Phone: 1-800-363-1992 :

www.edmundoptics.com