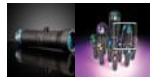


**TECHSPEC® 0.75X In-Line Illumination SilverTL™ Telecentric Lens**



0.75X In-Line Illumination SilverTL™ Telecentric Lens, #88-346



Stock **#88-346** **11 In Stock**

- 1 + C\$3,150<sup>00</sup>

**ADD TO CART**

Volume Pricing

Qty 1+	C\$3,150.00 each
Need More?	<a href="#">Request Quote</a>

Product Downloads

**General**

SilverTL™ Series **Product Family:**

**Stock No. of Mounting Clamp:**  
#56-870 Sold Separately

Telecentric Lens **Type:**

In-Line Illumination **Type of Illumination:**

## Physical & Mechanical Properties

Variable	<b>Iris Option:</b>
155.20	<b>Length (mm):</b>
155.20	<b>Length excluding Threads (mm):</b>
36.00	<b>Maximum Diameter (mm):</b>
227	<b>Weight (g):</b>
Anodized Aluminum	<b>Construction:</b>

## Optical Properties

11.7mm	<b>Horizontal Field of View, 2/3" Sensor:</b>
8.5mm	<b>Horizontal Field of View, 1/2" Sensor:</b>
6.4mm	<b>Horizontal Field of View, 1/3" Sensor:</b>
11.00	<b>Maximum Image Circle (mm):</b>
0.062	<b>Numerical Aperture NA, Object Side:</b>
±3	<b>Working Distance Tolerance (mm):</b>
>40% @ 40 lp/mm	<b>Resolution, Image Space MTF @ f/10:</b>
7 (6)	<b>Number of Elements (Groups):</b>
<0.080	<b>Typical Telecentricity @ 588nm (°):</b>
<0.080	<b>Typical Distortion @ 588nm (%):</b>
0.75X	<b>Primary Magnification PMAG:</b>
0.75	<b>Telecentric Lens Magnification:</b>
100.00	<b>Working Distance (mm):</b>
11.7 x 8.8	<b>FOV @ Max Sensor Format, H x V (mm):</b>
f/6 - f/22	<b>Aperture (f/#):</b>
425 - 675nm BBAR	<b>Coating:</b>
±0.8 at f/10 (20% @ 20 lp/mm)	<b>Depth of Field (mm):</b>
0.75X	<b>Magnification:</b>
VS	<b>Lens Wavelength Range:</b>

## Sensor

2/3"	<b>Maximum Sensor Format:</b>
2.74	<b>Pixel Size (µm):</b>

## Threading & Mounting

M30.5 x 0.50 (Female)	<b>Filter Thread:</b>
C-Mount	<b>Mount:</b>

## Regulatory Compliance

<a href="#">View</a>	<b>Certificate of Conformance:</b>
----------------------	------------------------------------

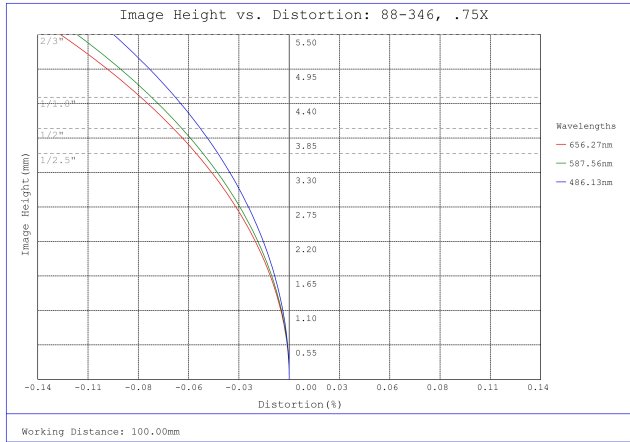
## Product Details

- High Resolution f/6 Bi-Telecentric Lens with Inline Illumination Options
- Up to 7.5 MegaPixels, 2.8µm Pixel Size Sensors
- Up to 2/3", C-Mount Telecentric Lens
- Magnification from 0.16X to 4X

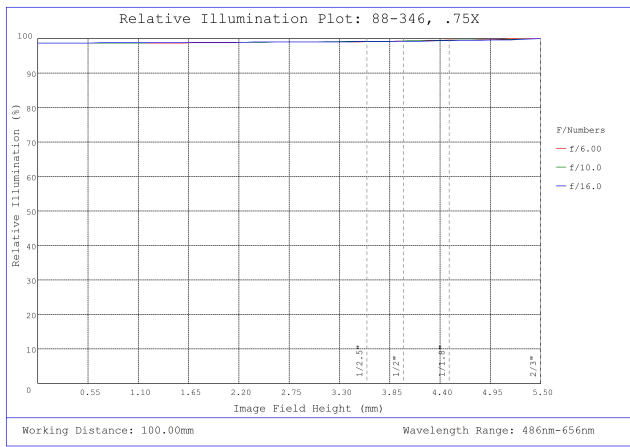
TECHSPEC® SilverTL™ Telecentric Lenses are ideal for both on-line and off-line machine vision production applications that require accurate measurements. These lenses combine high-quality optics with a simplified non-focusing mechanical design and an adjustable iris with a locking set screw. These lenses are designed for metrology and gauging applications. TECHSPEC® SilverTL™ Telecentric Lenses also offer inline illumination options for maximum versatility. Each lens also features a standard front filter thread for use with [color filters](#), [polarizers](#), [protective windows](#), and [illumination adapters](#) for LED or fiber-optic ring lights.

**Note:** Mounting brackets are available that fit the 30mm diameter mounting surface.

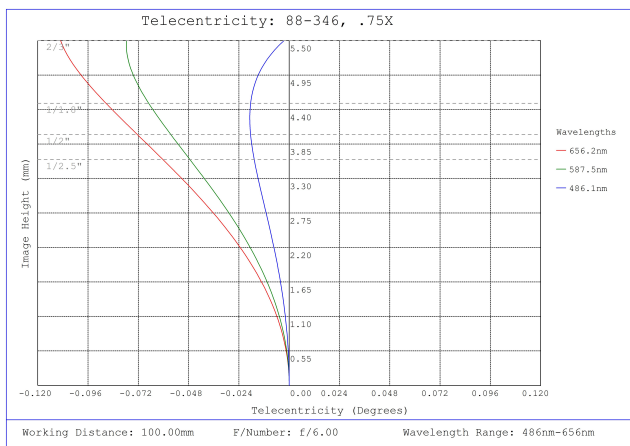
## Technical Information



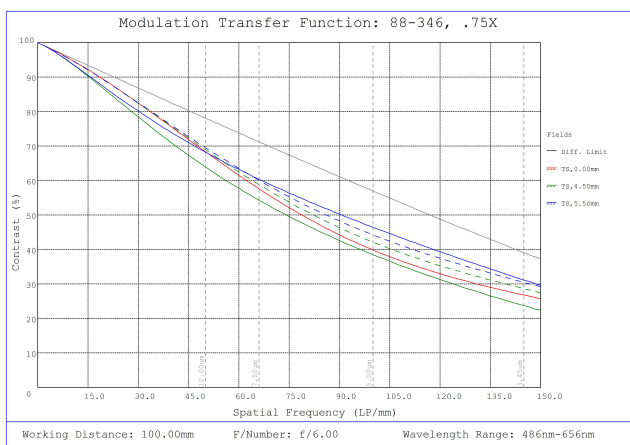
#88-346, 0.75X In-Line Illumination SilverTL™ Telecentric Lens, Distortion Plot



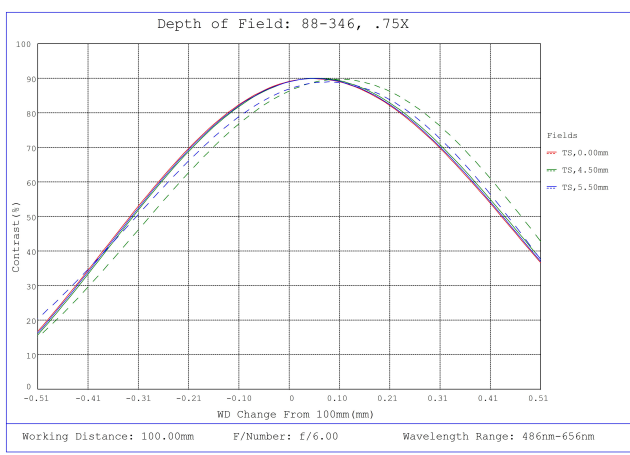
#88-346, 0.75X In-Line Illumination SilverTL™ Telecentric Lens, Relative Illumination Plot



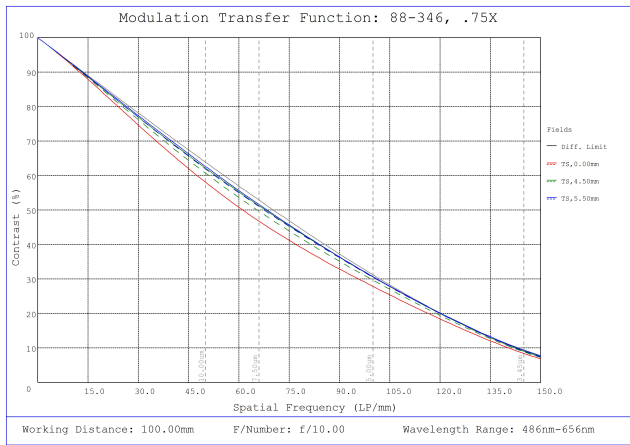
#88-346, 0.75X In-Line Illumination SilverTL™ Telecentric Lens, Telecentricity Plot



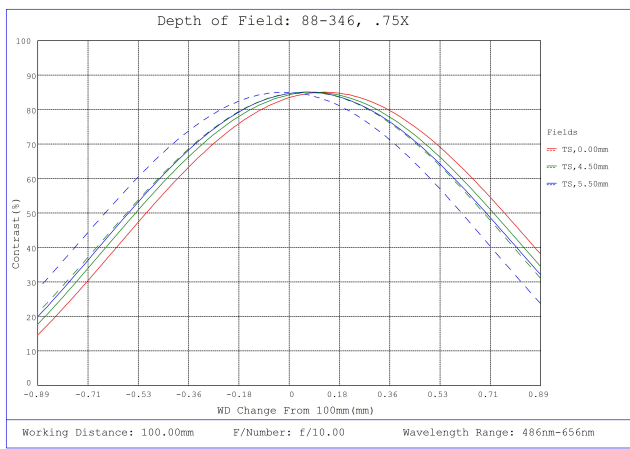
#88-346, 0.75X In-Line Illumination SilverTL™ Telecentric Lens, Modulated Transfer Function (MTF) Plot, 100mm Working Distance, f6



#88-346, 0.75X In-Line Illumination SilverTL™ Telecentric Lens, Depth of Field Plot, 100mm Working Distance, f6

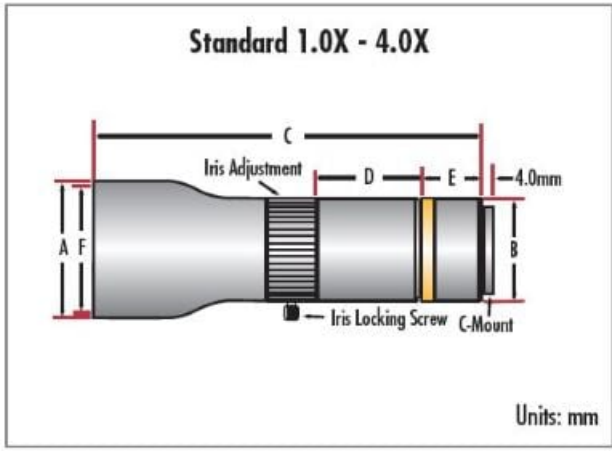
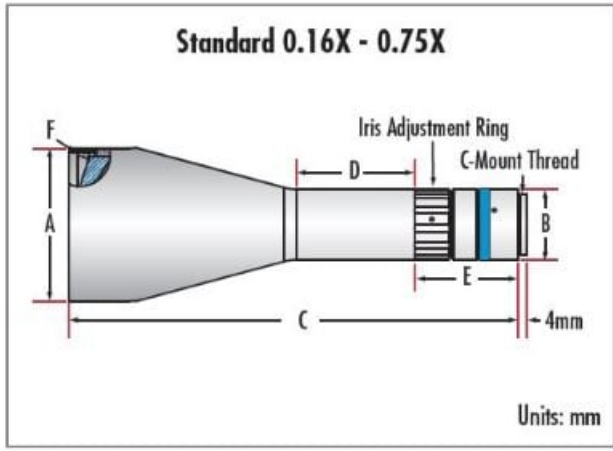


#88-346, 0.75X In-Line Illumination SilverTL™ Telecentric Lens, Modulated Transfer Function (MTF) Plot, 100mm Working Distance, f10



#88-346, 0.75X In-Line Illumination SilverTL™ Telecentric Lens, Depth of Field Plot, 100mm Working Distance, f10

Stock Number	Primary Mag.	Max Diameter A	Mbunting Diameter B	Length C	Mbunting Length D	Mounting Offset E	Filter Thread F
#56-675	0.16X	65mm	30mm	191mm	50mm	43mm	M62 x 0.75
#63-073	0.20X	60mm	30mm	188mm	42mm	45mm	M58 x 0.75
#56-676	0.25X	48mm	30mm	158mm	49mm	44mm	M46 x 0.75
#58-428	0.30X	46mm	30mm	158mm	60mm	43mm	M43 x 0.75
#56-677	0.40X	45mm	30mm	159mm	67mm	33mm	M43 x 0.75
#63-074	0.50X	40mm	30mm	153mm	42mm	68mm	M37 x 0.75
#88-344 (In-Line)				156.2mm	45.1mm	73.4mm	
#56-678	0.60X	42mm	30mm	156mm	57mm	46mm	M40.5 x 0.5
#67-731	0.75X	36mm	30mm	151.2mm	34mm*	82.2mm	M30.5 x 0.5
#88-346 (In-Line)				155.2mm	46.2mm	16.9mm	
#58-430	1.0X	40mm	30mm	114mm	32mm*	17mm	M37 x 0.75
#58-431	2.0X	45mm	30mm	141mm	45mm	17mm	M43 x 0.75
#88-348 (In-Line)				144.6mm	42.2mm	18.8mm	
#58-432	4.0X	61mm	30mm	249mm	99mm	17mm	M58 x 0.75



\*Mounting clamp fits over iris