

0.8mW 110V Linear, HeNe Laser



Low-Noise Lumentum Helium-Neon Laser with self-contained power supply

Stock **#61-338** **1 In Stock**

⊖ 1 ⊕ C\$2,254⁰⁰

ADD TO CART

Volume Pricing

Qty 1+	C\$2,254.00 each
Need More?	Request Quote

Product Downloads



General

10.00 **Warm-Up Time (minutes):**

Lumentum **Manufacturer:**

HeNe **Type of Laser:**

IIIa **Laser Class - CDRH:**

12,000 **Operating Lifetime (hours):**

1507P-1

Model Number:

Physical & Mechanical Properties

2.50 x 2.00 x 7.00
Dimensions (inches):

1.20
Weight (lbs):

Optical Properties

500:1
Polarization:

>95% TEM₀₀
Spatial Mode:

632.80
Wavelength (nm):

±3
Beam Diameter Tolerance (%):

±3
Beam Divergence Tolerance (%):

0.48
Beam Diameter (mm):

1.7
Beam Divergence (mrad):

Red
Color:

Electrical

>0.8
Output Power (mW):

±2.5
Power Stability (%):

30 Hz - 10 MHz 1.0%
RMS Noise:

1090
Longitudinal Mode Spacing, Nominal (MHz):

0.8
Minimum Output Power, TEM₀₀ (mW):

Hardware & Interface Connectivity

Power Supply:
Power Supply Required and Sold Separately.
USA: [#11-378](#)
Europe: [#35-224](#)
Japan: Not Available
Korea: Not Available
China: [#11-378](#)

Free Space
Output Type:

120
Input Voltage (V):

Regulatory Compliance

[Exempt](#)
RoHS 2015:

[View](#)
Certificate of Conformance:

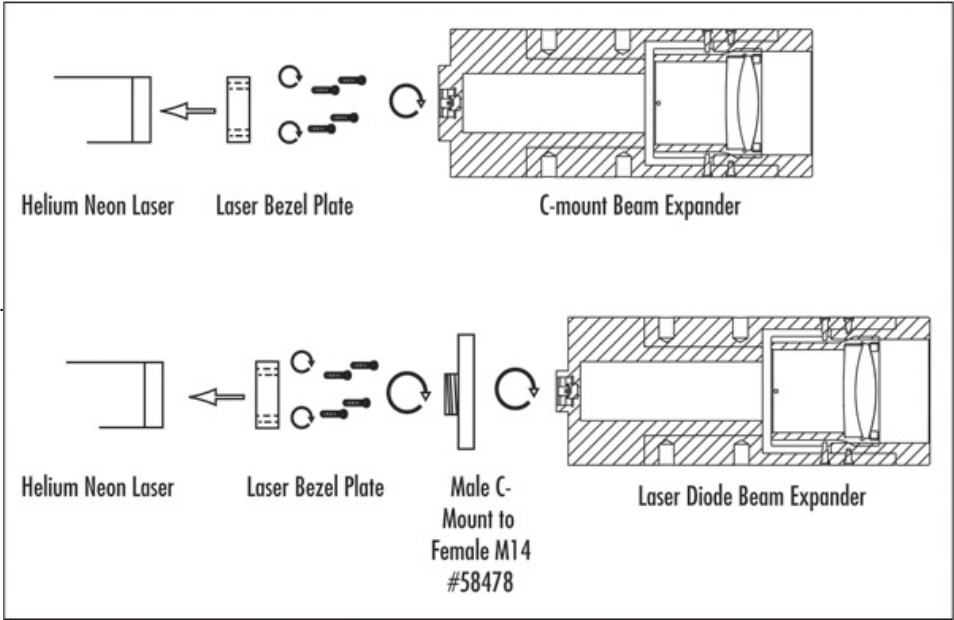
Product Details

- Low Noise
- Self-Contained Power Supply
- Small Size

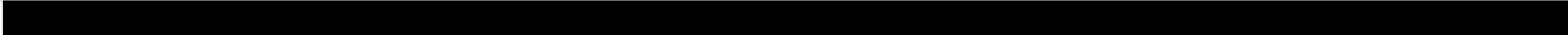
Lumentum Helium-Neon (HeNe) Lasers feature hard-sealed internal mirrors and small physical sizes. Due to low noise, the lasers offer increased laser reliability, greater design flexibility, and enhanced performance. The base of the laser is slotted for lab table mounting. These Lumentum HeNe Lasers also feature self-contained power supplies for simple system integration. Typical applications include alignment, metrology, and inspection.

Note: Lumentum was previously known as JDSU. These HeNe lasers comply with 21CFR1040 and IEC 825-1:1993.

Technical Information



Beam Expander Mounting Configurations Click on an item below to be brought to that item's product page.



;