

1000µm x 3mm, Mounted, Precision Air Slit



Mounted Precision Air Slit

Stock **#58-547** **20+ In Stock**

⊖ 1 ⊕ C\$221⁰⁰

ADD TO CART

Volume Pricing

Qty 1-5	C\$221.20 each
Qty 6-10	C\$194.74 each
Qty 11+	C\$180.04 each
Need More?	Request Quote

Product Downloads

General

Mounted **Type:**

Physical & Mechanical Properties

25.0 +0.4/-0.000 **Outer Diameter (mm):**

Stainless Steel **Construction:**

3.0 **Slit Length (mm):**

1000 ±5 **Slit Width (µm):**

0.01 Nominal **Thickness (mm):**

Threading & Mounting

1.25 ±0.05 **Mount Thickness (mm):**

Regulatory Compliance

Compliant **RoHS 2015:**

View **Certificate of Conformance:**

Compliant **Reach 247:**

Product Details

- Mounted Version Provides Secure Mechanical Support
- Used in Optical Systems and Educational Efforts
- Ideal for Spectrophotometer Image Analysis

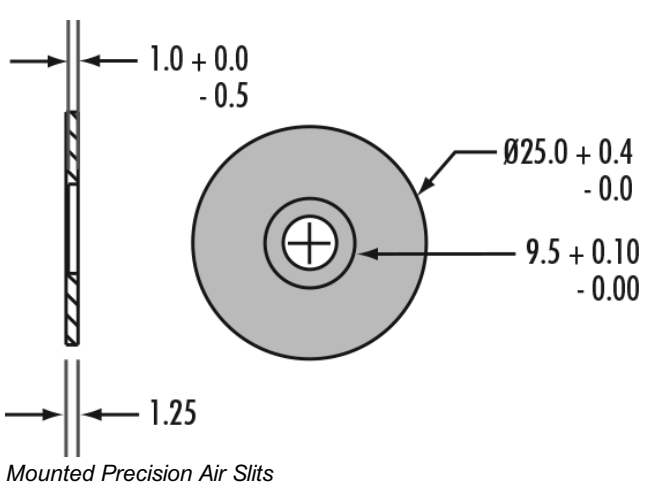
Precision Air Slits are used in optical systems and educational efforts. By scanning across the focal point, MTF and point spread function can be calculated. These air slits are commonly used in focusing a light through an aperture, spectrophotometer image analysis, and various optical experiments. Precision Air Slits are constructed of stainless steel and have a 3.0mm slit length. These air slits are available unmounted with an outer diameter of 9.5mm and mounted with an outer diameter of 25.0mm, all with varying slit width.

Use our [Precision Pinhole Mount](#) to easily integrate unmounted pinholes into a variety of mechanical components.

Mounted Precision Air Slits

Our Precision Apertures are available in aperture mounts for a secure mechanical support. The mounts also fit into various optical assemblies. Each 9.5mm diameter pinhole is sealed within a 25mm diameter black-anodized aluminum mount. Mount is clearly labeled with aperture size for easy identification. **Note:** Aperture Centering to Mount ±125µm.

Technical Information



Mounted Precision Air Slits