

[See all 20 Products in Family](#)

100mm x 120mm Travel, Motorized XY Microscope Stage, Integrated Controller with Encoder

See More by [Zaber™](#)



XY Microscope Translation Stage



Stock #25-178 [CONTACT US](#)

⊖ 1 ⊕ C\$11,060.⁰⁰

ADD TO CART

Volume Pricing

Qty 1+	C\$11,060.00 each
Need More?	Request Quote

Product Downloads

General

Metric **Type:**

Yes **Encoder:**

Zaber Technologies Inc. **Manufacturer:**

Stepper (2 Phase)	Type of Motor:
Rotary Quadrature Encoder	Encoder Type:
Physical & Mechanical Properties	
Linear (X-Y)	Type of Movement:
Crossed Roller Bearing	Guide System:
236.3 x 322.9	Stage Size (mm):
120 in X 100 in Y	Travel (mm):
40 (Unidirectional)	Accuracy (μm):
<4	Backlash (μm):
34.7	Height (mm):
9.68, Centered Load	Load Capacity (kg):
<2	Repeatability (μm):
0.000095 to 85	Speed (mm/s):
95	Thrust (N):
3.3	Weight (kg):
200 CPR	Encoder Resolution:

Optical Properties	
0.15625	Resolution (μm):

Hardware & Interface Connectivity	
Precision Lead Screw	Type of Drive:
24-48 VDC	Power Supply:

Environmental & Durability Factors	
0 to 50	Operating Temperature (°C):

Regulatory Compliance	
Compliant	RoHS 2015:
View	Certificate of Conformance:
Compliant	Reach 247:

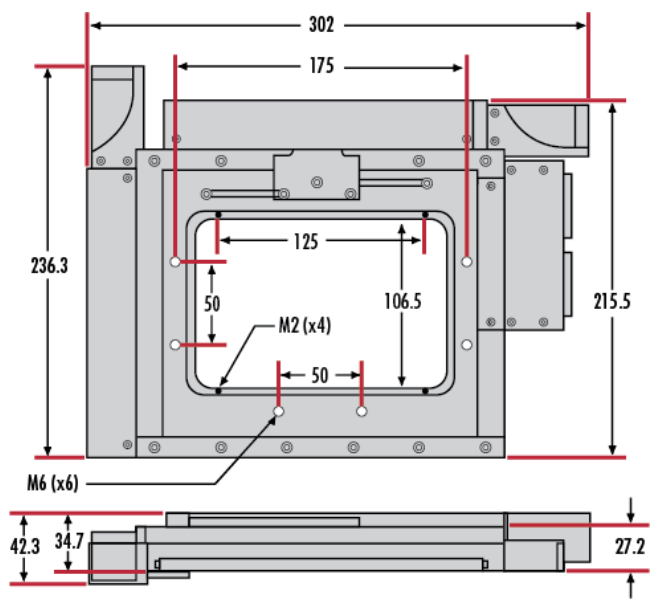
Product Details

- 100 x 120mm or 205 x 205mm Travel
- 100N Centered Load Capacity, 12μm Full Travel Accuracy, 2μm Repeatability, and Up to 85mm/s Speed
- Supported by [μManager](#) Open-Source Microscopy Software
- Available with Integrated, 200 Counts per Revolution (CPR) Motor Mounted Encoder

Zaber™ Motorized XY Microscope Stages are an ideal replacement for manual stages used on upright and inverted microscope systems or for stand-alone operation as scanning stages. These microscope stages incorporate crossed roller bearings on hardened stainless steel to increase translation smoothness and durability. Encoder versions are available for all travel lengths, with 200 Counts per Revolution (CPR) rotary quadrature encoders integrated into the stepper motor. Zaber™ Motorized XY Microscope Stage features a compact design, precision accuracy and repeatability, and quick translation speed across 100 x 120mm or 205 x 205mm of travel. The included adjustable universal slide insert allows quick changes of slides up to 70mm diameter. This stage is fully supported by [μManager](#), an open-source software package for controlling automated microscopes and imaging systems.

Note: A 24-48 VDC universal power supply, data cables for daisy chaining, and computer interface cables (USB or RS-232) are sold separately as accessories. These stages utilize the same accessories as the Zaber™ High Precision Motorized Stage System.

Technical Information



;