

[See all 10 Products in Family](#)

100X ZEISS A-Plan Oil Immersion Objective

See More by [ZEISS](#)



ZEISS A-Plan Objectives



Stock #13-821 **3 In Stock**

⊖ 1 ⊕ C\$1,442⁰⁰

ADD TO CART

Volume Pricing	
Qty 1+	C\$1,442.00 each
Need More?	Request Quote

Product Downloads

General

Model Number:
421090-9902-000

Compatible Tube Lens Focal Length (mm):
Focal Length: 164.50mm

Type:
Microscope Objective

Typical Applications:

Fluorescence, BrightField

Infinity Corrected **Style:**

Zeiss **Manufacturer:**

Recommended Immersion Oil [#86-834](#) **Note:**

Physical & Mechanical Properties

0.23 **Field of View (mm):**

44.70 **Length excluding Threads (mm):**

30 **Maximum Diameter (mm):**

177 **Weight (g):**

Optical Properties

0.17 **Compatible Cover Glass Thickness (mm):**

1.60 **Focal Length FL (mm):**

100X **Magnification:**

1.25 **Numerical Aperture NA:**

0.22 **Resolving Power (μm):**

0.18 **Depth of Field (μm):**

0.22 **Working Distance (mm):**

480 - 650 **Wavelength Range (nm):**

23 **Field Number (mm):**

45.06 **Parfocal Length (mm):**

Oil **Immersion Liquid:**

Threading & Mounting

M27 x 0.75 **Mounting Threads:**

Environmental & Durability Factors

+10 to +40 **Operating Temperature ($^{\circ}\text{C}$):**

75% at 35 $^{\circ}\text{C}$ **Operating Humidity:**

Regulatory Compliance

[View](#) **Certificate of Conformance:**

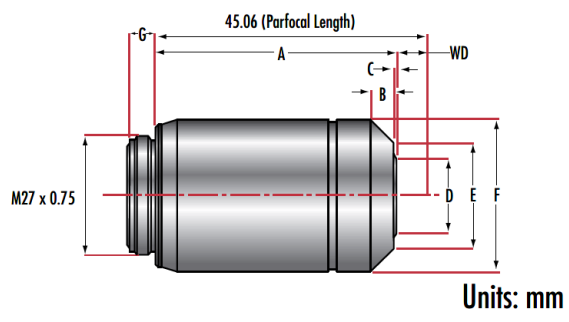
Product Details

- Ideal for Brightfield and Fluorescence Applications
- Excellent Color Correction and Flatness of Field
- Oil Immersion Options Available

ZEISS A-Plan Infinity Corrected Objectives are designed for a variety of routine life science applications. These objectives exhibit excellent color correction and flatness of field that satisfy ISO 19012-1:2013 standards. They are ideal for brightfield inspection of fixed and stained tissues or cells in fluorescence applications. The large field number of 23mm facilitates fast screening of samples. ZEISS A-Plan Infinity Corrected Objectives are corrected for standard cover slips with 0.17mm thickness.

Note: Tube Lens [#13-828](#) is required when using ZEISS A-Plan Infinity Corrected Objectives with non-ZEISS Infinity Color Corrected (ICS) microscope systems.

Technical Information



Stock No.	A-Plan	A	B	C	D	E	F	G	W.D.	PFL	Mounting Threads
#13-814	2.5X	34.5	6.25	2.75	17.0	22.5	30.0	3.9	10.40	45.06	M27x0.75
#13-815	5X	34.8	7.25	2.75	17.0	22.5	30.0	3.9	10.10	45.06	M27x0.75
#13-816	10X	40.4	4.75	5.25	12.0	22.5	30.0	3.9	4.50	45.06	M27x0.75
#13-817	20X	44.4	7.90	6.30	6.4	22.0	30.0	4.0	0.46	45.06	M27x0.75
#13-818	40X	44.4	8.00	3.30	7.0	21.0	30.0	4.0	0.45	45.06	M27x0.75
#13-819	63X	44.6	8.00	6.60	7.0	22.0	30.0	4.0	0.30	45.06	M27x0.75
#13-820	100X	43.9	10.70	3.20	7.1	19.0	30.0	3.9	0.97	45.06	M27x0.75
#13-821	100X OIL	44.7	9.00	5.70	7.0	19.0	30.0	4.0	0.22	45.06	M27x0.75