

[See all 34 Products in Family](#)

**TECHSPEC® 1:1.4 with 25mm and 35mm EFL Achromats, 15mm Achromatic Pair**



TECHSPEC Mounted Achromatic Lens Pairs

Stock **#55-273** **3 In Stock**

⊖ 1 ⊕ C\$292<sup>00</sup>

**ADD TO CART**

Volume Pricing	
Qty 1-5	C\$292.60 each
Qty 6-25	C\$233.80 each
Qty 26-49	C\$225.40 each
Need More?	<a href="#">Request Quote</a>

Product Downloads

**General**

Relay Lens Type:

**Physical & Mechanical Properties**

9.5 Clear Aperture CA (mm):

2.43 Center Air Spacing (mm):

15 +0.0/-0.10	<b>Housing Diameter (mm):</b>
21 ±0.2	<b>Housing Length (mm):</b>
4	<b>Lens Edge Spacing at Mount (mm):</b>
28.31	<b>Image Distance (mm):</b>
<b>Construction:</b> Achromat Pair in Anodized Aluminum Housing	

## Optical Properties

<a href="#">N-BAF10 / N-SF10 / N-SK11 / N-SF5</a>	<b>Substrate:</b> □
40-20	<b>Surface Quality:</b>
f/3.71	<b>Working f#:</b>
MgF <sub>2</sub> (400-700nm)	<b>Coating:</b>
R <sub>avg</sub> ≤1.75% @400 - 700nm	<b>Coating Specification:</b>
25.00	<b>Effective Focal Length EFL A (mm):</b>
35.00	<b>Effective Focal Length EFL B (mm):</b>
1:1.4	<b>Magnification:</b>
18.05	<b>Object Distance (mm):</b>
400 - 700	<b>Wavelength Range (nm):</b>

## Regulatory Compliance

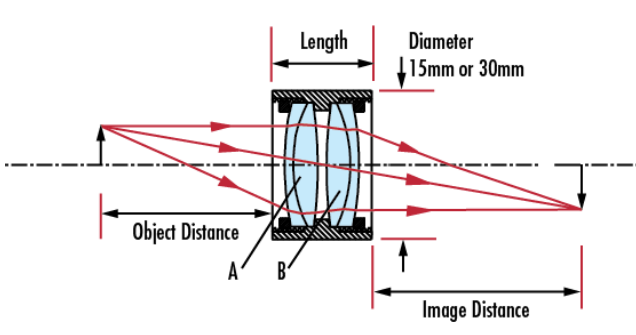
<a href="#">Compliant</a>	<b>RoHS 2015:</b>
<a href="#">Compliant</a>	<b>Reach 209:</b>
<a href="#">View</a>	<b>Certificate of Conformance:</b>

## Product Details

- 15mm and 30mm Diameter Options
- AR Coated Lenses
- Mounted Achromatic Pairs Kits Available

TECHSPEC® Mounted Achromatic Lens Pairs combine popular TECHSPEC® Achromats into common configurations used for relay and projection applications. Packaged in slim-line aluminum housing, each pair is ready for integration into a host of OEM applications, eliminating the need to handle loose optics. 15.0mm pairs can be coupled into C-mount components using [Helicoid Barrel Accessory](#). TECHSPEC Mounted Achromatic Lens Pairs have also been oriented for optimum system performance. All lenses, 15.0mm and 30.0mm, are AR coated. Lower f# pairs may not be ideal for imaging applications depending on the performance requirements. Cylinder lenses can be incorporated into empty barrels in order to generate lines or sheets of light.

## Technical Information



## Coating Curves