

[See all 102 Products in Family](#)

TECHSPEC® 12.0mm Diameter x 54.0mm FL, 1550nm V-Coat, PCX Lens



633nm Laser Line Coated Plano-Convex(PCX) Lenses



Stock **#84-247** **2 In Stock**

[Other Coating Options](#)

1 **C\$74^{.20}**

ADD TO CART

Volume Pricing	
Qty 1-9	C\$74.20 each
Qty 10-25	C\$66.85 each
Qty 26-49	C\$59.15 each
Need More?	Request Quote

Product Downloads

General

Plano-Convex Lens **Type:**

Physical & Mechanical Properties

Diameter (mm):

12.00 +0.0/-0.025

Centering (arcmin):
<1

Center Thickness CT (mm):
3.00 ±0.05

Edge Thickness ET (mm):
2.35

Clear Aperture CA (mm):
11

Bevel:
Protective as needed

Optical Properties

Effective Focal Length EFL (mm):
54.00 @ 587.6nm

Back Focal Length BFL (mm):
52.02

Coating:
Laser V-Coat (1550nm)

Coating Specification:
R_{abs} <0.25% @ 1550nm

Substrate:
N-BK7

Surface Quality:
40-20

Power (P-V) @ 632.8nm:
1.5λ

Irregularity (P-V) @ 632.8nm:
λ/4

Focal Length Tolerance (%):
±1

Radius R₁ (mm):
27.91

f#:
4.5

Numerical Aperture NA:
0.11

Design Wavelength DWL (nm):
1550

Damage Threshold, By Design:
5 J/cm² @ 1550nm, 10ns

Regulatory Compliance

RoHS 2015:
Compliant

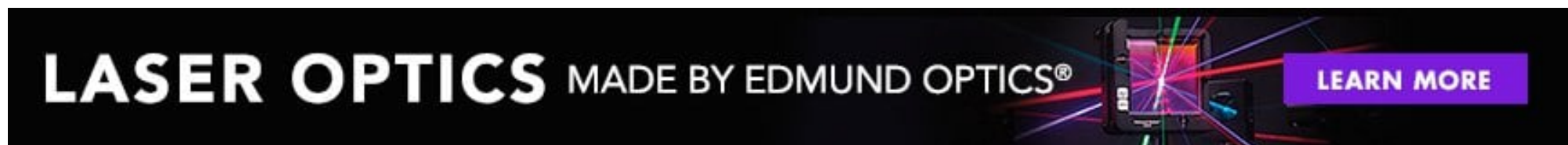
Certificate of Conformance:
[View](#)

Reach 235:
Compliant

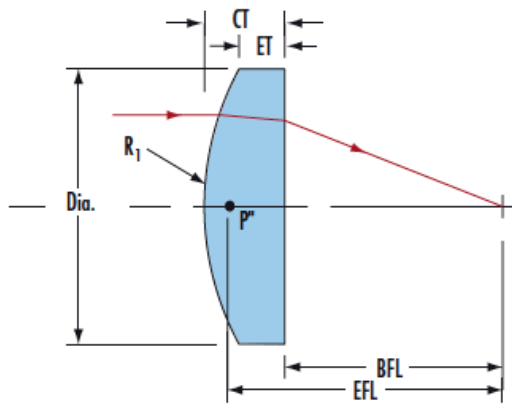
Product Details

- <0.25% Reflection at Design Wavelength
- Coatings Available for Diode, HeNe, and Nd:YAG Laser Sources
- BBAR Coating Options Also Available: [uncoated](#), [MgF₂](#), [VIS 0°](#), [VIS-NIR](#), [NIR I](#), [NIR II](#)
- [405nm](#), [532nm](#), [633nm](#), [785nm](#), [980nm](#), [1064nm](#), and 1550nm V-Coated Options Offered

TECHSPEC® 1550nm Laser Line Coated Plano-Convex (PCX) Lenses are designed for maximum throughput at the specified laser wavelength. These lenses are ideal for collecting and focusing light from laser sources and their corresponding harmonics. With a maximum reflection of <0.25% per surface at the design wavelength, the lenses will provide superior transmission in applications utilizing multiple optical components. TECHSPEC® 1550nm Laser Line Coated Plano-Convex (PCX) Lenses are available Laser V-Coated in a range of other wavelengths: [405nm](#), [532nm](#), [633nm](#), [785nm](#), [980nm](#), and [1064nm](#). Other coating options are available, including [uncoated](#), [MgF₂](#), [VIS 0°](#), [VIS-NIR](#), [NIR I](#), and [NIR II](#).



Technical Information



Custom

Edmund Optics offers comprehensive custom manufacturing services for optical and imaging components tailored to your specific application requirements. Whether in the prototyping phase or preparing for full-scale production, we provide flexible solutions to meet your needs. Our experienced engineers are here to assist—from concept to completion.

Our capabilities include:

- Custom dimensions, materials, coatings, and more
- High-precision surface quality and flatness
- Tight tolerances and complex geometries
- Scalable production—from prototype to volume

Learn more about our [custom manufacturing capabilities](#) or submit an inquiry [here](#).

Compatible Mounts

;