

[See all 34 Products in Family](#)

**TECHSPEC® 1:2.5 with 40mm and 100mm EFL Achromats, 30mm Achromatic Pair**



TECHSPEC Mounted Achromatic Lens Pairs

Stock **#46-010** **2 In Stock**

⊖ 1 ⊕ C\$369<sup>00</sup>

**ADD TO CART**

Volume Pricing	
Qty 1-5	C\$369.60 each
Qty 6-25	C\$295.40 each
Qty 26-49	C\$287.00 each
Need More?	<a href="#">Request Quote</a>

Product Downloads

**General**

Relay Lens Type:

**Physical & Mechanical Properties**

22.0 Clear Aperture CA (mm):

4.11 Center Air Spacing (mm):

30 +0.0/-0.10      **Housing Diameter (mm):**

34 ±0.2      **Housing Length (mm):**

8      **Lens Edge Spacing at Mount (mm):**

90.13      **Image Distance (mm):**

**Construction:**  
Achromat Pair in Anodized Aluminum Housing

## Optical Properties

**Substrate:**   
S-BAH11 / N-SF10 / N-BK7 / N-SF5

40-20      **Surface Quality:**

f/4.51      **Working f#:**

MgF<sub>2</sub> (400-700nm)      **Coating:**

R<sub>avg</sub> ≤1.75% @400 - 700nm      **Coating Specification:**

40.00      **Effective Focal Length EFL A (mm):**

100.00      **Effective Focal Length EFL B (mm):**

1:2.50      **Magnification:**

29.31      **Object Distance (mm):**

400 - 700      **Wavelength Range (nm):**

## Regulatory Compliance

**RoHS 2015:**  
Compliant

**Reach 209:**  
Compliant

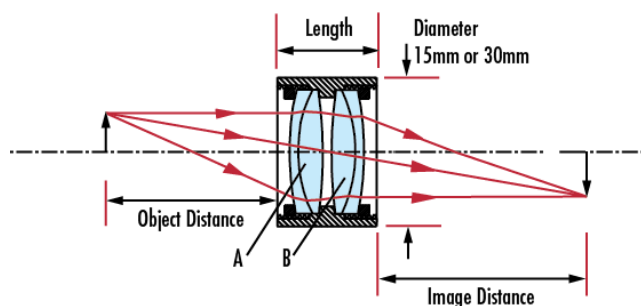
**Certificate of Conformance:**  
[View](#)

## Product Details

- 15mm and 30mm Diameter Options
- AR Coated Lenses
- Mounted Achromatic Pairs Kits Available

TECHSPEC® Mounted Achromatic Lens Pairs combine popular TECHSPEC® Achromats into common configurations used for relay and projection applications. Packaged in slim-line aluminum housing, each pair is ready for integration into a host of OEM applications, eliminating the need to handle loose optics. 15.0mm pairs can be coupled into C-mount components using [Helicoid Barrel Accessory](#). TECHSPEC Mounted Achromatic Lens Pairs have also been oriented for optimum system performance. All lenses, 15.0mm and 30.0mm, are AR coated. Lower f# pairs may not be ideal for imaging applications depending on the performance requirements. Cylinder lenses can be incorporated into empty barrels in order to generate lines or sheets of light.

## Technical Information



## Coating Curves