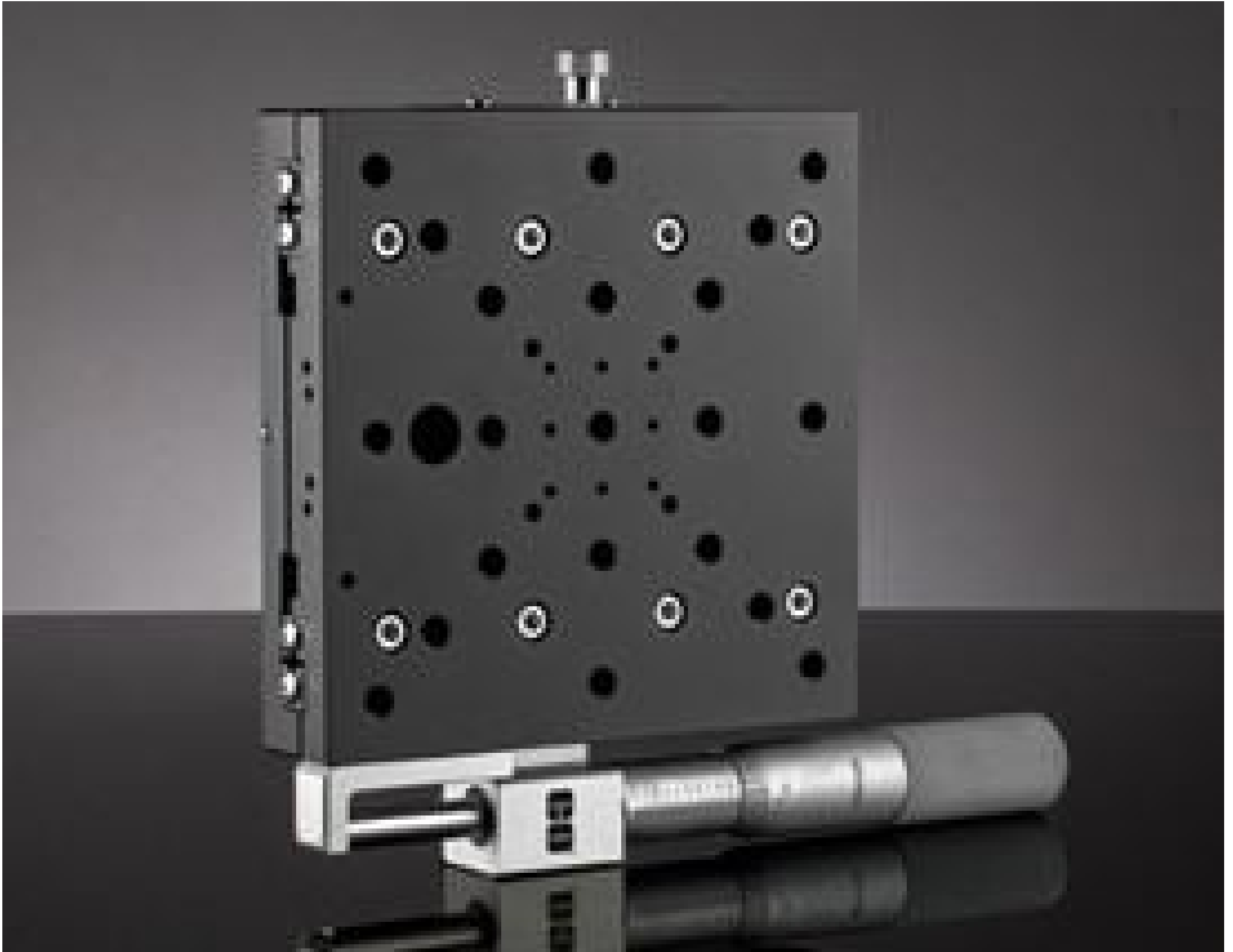


TECHSPEC® 125mm, Side Drive, Standard Top, English Micrometer Stage



125mm Micrometer Drive Stage

Stock **#66-454** **1 In Stock**

⊖ 1 ⊕ C\$987⁰⁰

ADD TO CART

Volume Pricing	
Qty 1-2	C\$987.00 each
Qty 3+	C\$861.14 each
Need More?	Request Quote

Product Downloads

General

English **Type:**

Physical & Mechanical Properties

Linear (X) **Type of Movement:**

Crossed Roller Bearing **Guide System:**

Drive Orientation:

30mm Standard-Top Stages - Center Drive



30mm Standard-Top Stages - Side Drive



40mm Standard-Top Stages - Center Drive



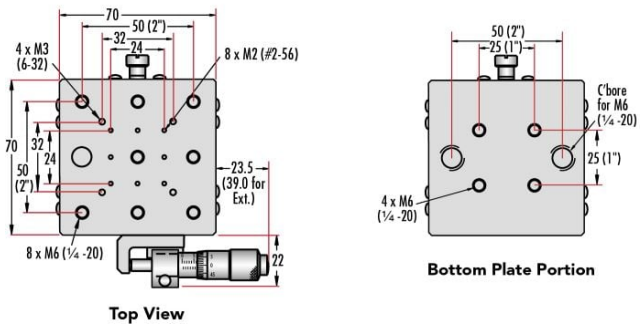
40mm Standard-Top Stages - Side Drive



70mm Standard-Top Stages - Center Drive



70mm Standard-Top Stages - Side Drive



125mm Standard-Top Stages - Center Drive



125mm Standard-Top Stages - Side Drive

