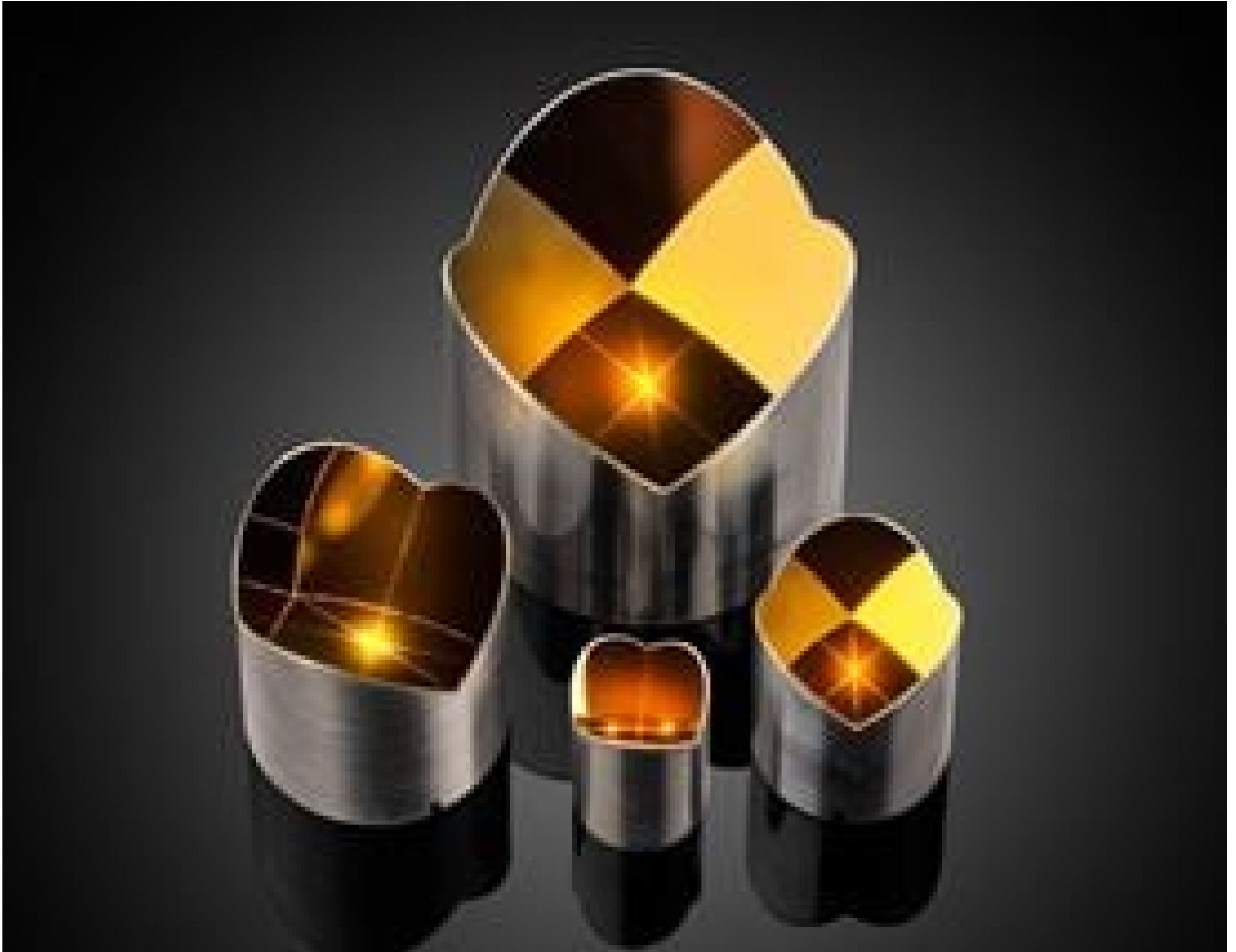


[See all 18 Products in Family](#)

19.1mm Dia., 5 Arcsec, Bare Gold Replicated Hollow Metal Retroreflector



Replicated Hollow Metal Retroreflectors

Stock #15-899 **3 In Stock**

⊖ 1 ⊕ C\$777⁰⁰

ADD TO CART

| Volume Pricing | |
|----------------|-------------------------------|
| Qty 1-9 | C\$777.00 each |
| Qty 10-24 | C\$722.61 each |
| Qty 25+ | C\$660.45 each |
| Need More? | Request Quote |

Product Downloads

General

Retroreflector **Type:**
Standard Profile **Style:**

Physical & Mechanical Properties

16.51 **Clear Aperture CA (mm):**

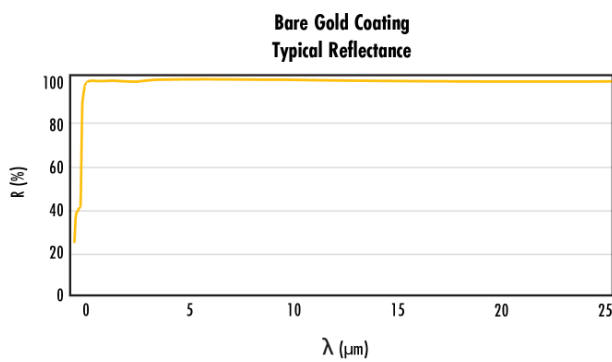
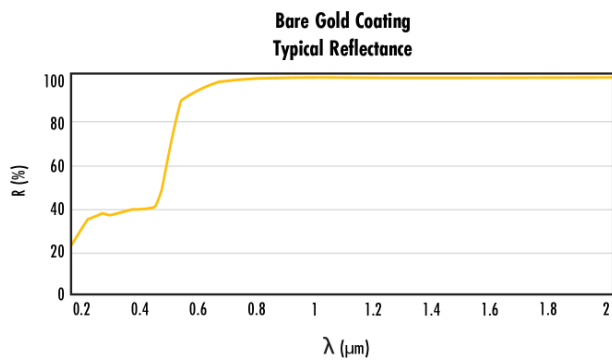
| | |
|---|--|
| 19.10 | Diameter (mm): |
| 26.17 | Height (mm): |
| +0.025/-0.051 | Dimensional Tolerance (mm): |
| Optical Properties | |
| 5 | Beam Deviation (arcsec): |
| Bare Gold | Coating: |
| Aluminum | Substrate: <input type="checkbox"/> |
| 60-40 | Surface Quality: |
| Left-Handed | Image Orientation: |
| R _{avg} >94% @ 700 - 800nm R _{avg} >97% @ 800 - 2000nm R _{avg} >98% @ 2 - 12μm | Coating Specification: |
| 180 | Ray Deviation (°): |
| 700 - 12000 | Wavelength Range (nm): |
| Threading & Mounting | |
| 10-24 | Mounting Threads: |
| Regulatory Compliance | |
| View | Certificate of Conformance: |

Product Details

- Monolithic Aluminum Construction
- Return Beam Accuracy Unaffected by Vibration
- Bare Gold or Enhanced Aluminum Coating Options
- Low Profile Versions are Available

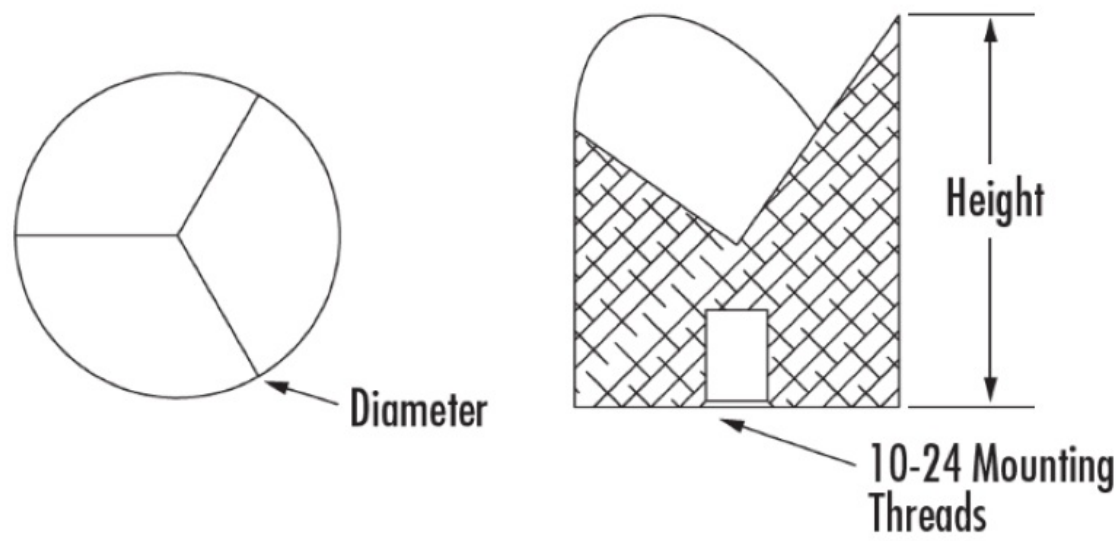
Replicated Hollow Metal Retroreflectors feature a monolithic aluminum construction and an integrated mount to provide return beam performance unaffected by vibration. These retroreflectors are offered with bare gold coatings applied to the first surface, maximizing their reflectivity in the infrared (IR), or enhanced aluminum coatings for optimal performance in the visible spectrum. Designed to have the entirety of their optical path in air, these retroreflectors do not require antireflection coatings for optimal performance and can be used over wider wavelength ranges than glass retroreflectors. Replicated Hollow Metal Retroreflectors are ideal for applications where an optical path through a glass prism is undesired, reduced weight is required, or where high shock and vibration levels are expected. The replication manufacturing process of these optics enables cost-effective designs while providing high performance beam return accuracy.

Technical Information



REPLICATED HOLLOW METAL RETROREFLECTORS

| Diameter (mm) | Height (mm) | Mounting Threads | Coating | Stock No. | |
|---------------|-------------|------------------|-----------|--------------|---------------|
| | | | | 5 Arcseconds | 10 Arcseconds |
| 12.7 | 21.68 | 10-24 | Bare Gold | #15-897 | #15-898 |
| 19.1 | 26.17 | 10-24 | Bare Gold | #15-899 | #15-900 |
| 25.4 | 30.66 | 10-24 | Bare Gold | #15-901 | #15-902 |
| 38.1 | 39.64 | 10-24 | Bare Gold | #15-903 | #15-904 |



LOW PROFILE REPLICATED HOLLOW METAL RETROREFLECTORS

| Dimension A (mm) | Dimension B (mm) | Dimension C (mm) | Coating | Stock No. | | |
|------------------|------------------|------------------|-----------|--------------|--------------|---------------|
| | | | | 2 Arcseconds | 5 Arcseconds | 10 Arcseconds |
| 12.7 | 8.63 | 12.8 | Bare Gold | N/A | #23-854 | #23-855 |
| 25.4 | 20.32 | 21.77 | Bare Gold | #23-856 | #23-857 | #23-858 |

