

[See all 12 Products in Family](#)

## 20mm, Polarizer Mount



Stock #55-454 **CLEARANCE** [CONTACT US](#)

- 1 + C\$183<sup>00</sup>

**ADD TO CART**

Volume Pricing	
Qty 1+	C\$183.40 each
Need More?	<a href="#">Request Quote</a>

### Product Downloads

### General

Adjustable - Rotary **Type:**

Circular **Type of Optics:**

### Physical & Mechanical Properties

17.0 **Clear Aperture CA (mm):**

2° **Increments:**

360 **Coarse Rotation (°):**

N/A **Fine Rotation (°):**

## Hardware & Interface Connectivity

Standard **Type of Drive:**

## Threading & Mounting

20.0 **Size of Compatible Optics (mm):**

6.0 (Max) **Thickness of Compatible Optics (mm):**

M6 x 1.0 **Compatible Post:**

Polarizer **Type of Mounting Optics:**

## Regulatory Compliance

[Compliant](#) **RoHS 2015:**

[View](#) **Certificate of Conformance:**

## Product Details

- Coarse and Fine Movement Available
- Black Anodized Aluminum
- [Posts](#) and [Post Holders](#) Required for Mounting

Metric Polarizer Mounts feature secure optic retainer, lever arm for smooth rotation, locking knob for repeatability and 360° scaled vernier. [Posts](#) and [Post Holders](#) are required for mounting to a breadboard. Micrometer version provides fine adjustment. Metric Polarizer Mounts, for Micrometer Driven version only: total travel of the 0.25mm pitch fine adjustment screw is 10°. Total angular rotation per rotation of knob is 20 minutes. \*40mm total including 34mm diameter mounting tube.

## Technical Information

Diameter of Compatible Optics D	Clear Aperture CA	Drive Type	Mount Diameter A	Mount Thickness B	C	E	Stock No.
Standard							
20.0	17	Standard	50	19	34	24.0	<a href="#">#55-454</a>
25.4	22	Micrometer	69	-	-	33.5	<a href="#">#55-011</a>
25.4	22	Standard	60	20	42	29.5	<a href="#">#55-010</a>
30.0	27	Micrometer	69	-	-	33.5	<a href="#">#57-570</a>
30.0	27	Standard	60	20	42	29.5	<a href="#">#57-569</a>
50.0	47	Micrometer	89	-	-	43.5	<a href="#">#56-329</a>
50.0	47	Standard	80	20	62	39.5	<a href="#">#55-455</a>
Glan-Thompson Polarizer Mounts							
25.4	18	Micrometer	69	-*	-	33.5	<a href="#">#57-572</a>
25.4	18	Standard	60	20*	42	29.5	<a href="#">#57-571</a>

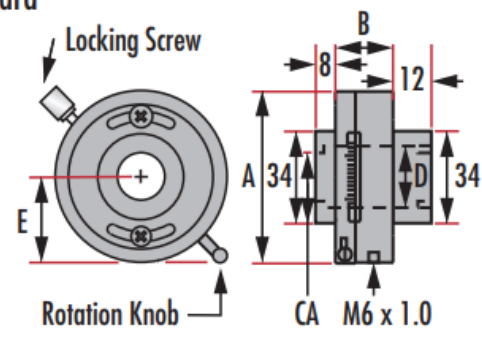
### Polarizer Mounts

Standard

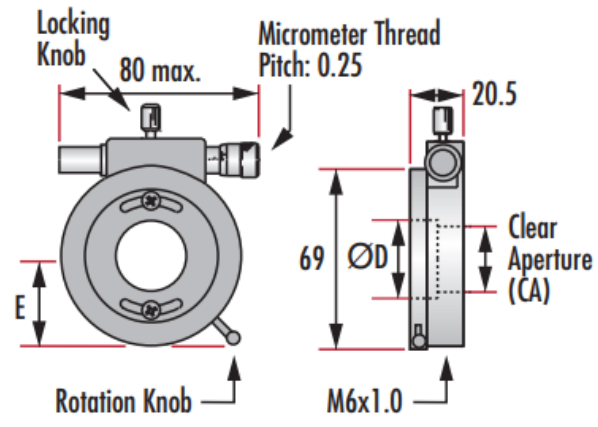


### Glan-Thompson Mount

Standard



Micrometer Driven



Micrometer Driven

