

[See all 5 Products in Family](#)

220mm x 160mm Lab Jack Universal Breadboard Adapter



#12-797: 220mm x 160mm Lab Jack Universal Breadboard Adapter

Stock **#12-797** **16 In Stock**

⊖ 1 ⊕ C\$145⁰⁰

ADD TO CART

Volume Pricing	
Qty 1+	C\$145.60 each
Need More?	Request Quote

Product Downloads

General

Included Hardware:
(4) 1/4-20, 1/2" Long Screws; (4) M6 x 1.0, 12mm Long Screws

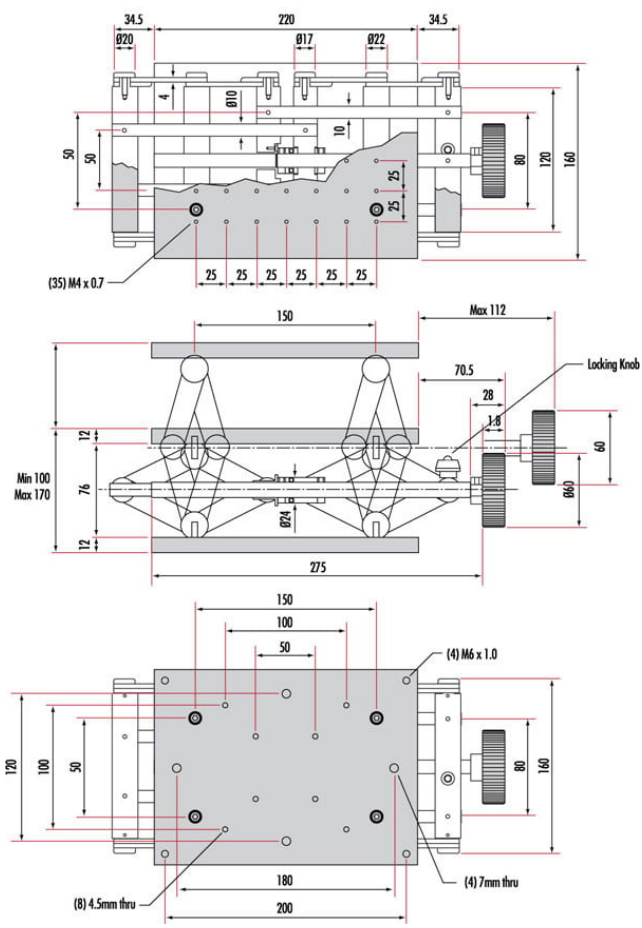
Physical & Mechanical Properties

Length (mm):
220.00

Thickness (mm):
8.00

Width (mm):
220.00

#62-009 220MM X 160MM METRIC LAB JACK



#56-336 132mm x 80mm Lab Jack

