

2.5" Width, Metric Dovetail Carrier



2.5" Width, Metric Dovetail Carrier (#11-161)

Stock **#11-161** **20+ In Stock**

⊖ 1 ⊕ C\$177⁰⁰

ADD TO CART

Volume Pricing	
Qty 1-4	C\$177.80 each
Qty 5+	C\$157.22 each
Need More?	Request Quote

Product Downloads

General

Metric **Type:**

Carrier **Note:**

Physical & Mechanical Properties

Linear (X) **Type of Movement:**

Guide System:

Dovetail	
2.5	Length (inches):
63.50	Length (mm):
Black Anodized Aluminum	Construction:

Hardware & Interface Connectivity

Manual	Type of Drive:
--------	----------------

Threading & Mounting

(9) M6 x 1.0 on 25mm	Mounting Threads:
----------------------	-------------------

Regulatory Compliance

Compliant	RoHS 2015:
View	Certificate of Conformance:
Compliant	REACH 241:

Product Details

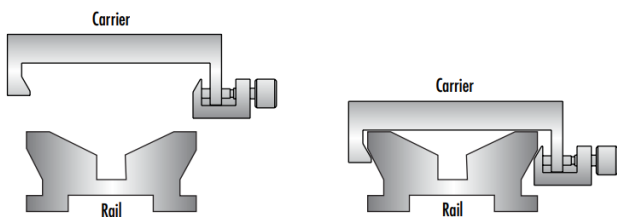
- Wide Range of Carrier Length and Mounting Hole Options Available
- Low Profile Design with Smooth Movement
- Increased Stability and <1mrad Straight Line Accuracy

Dovetail Optical Rail Systems are designed for easy and stable installation and positioning of various optical components along the same axis. The rails feature slotted holes that allow them to be fixed to standard 1/4-20 TPI and M6 breadboards or optical tables. Carriers are available with different lengths and hole patterns to meet various mounting needs including options that are directly compatible with our [TECHSPEC® Manual Stages](#) for precision alignment. Carriers utilize a unique two-piece design to prevent the locking screws from contacting the rail and to allow easy attachment and removal. All Dovetail Optical Rail System parts are constructed of black anodized aluminum to minimize stray reflections or glare.

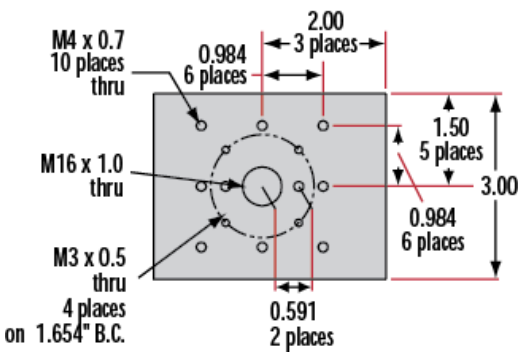
Note: Rails and carriers are sold separately.

Technical Information

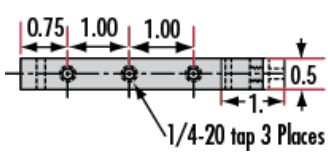
Side Profile of Rail System



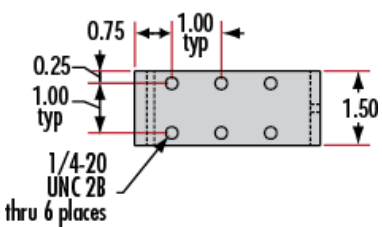
Large Carrier #55-340



Small Carrier #54-403



Medium Carrier #55-339



Large Carrier #55-404



Medium Carrier #55-341



Common Side Profile



Stock No.	L	A	B	C	D	# Slots	# C'bores
#54-401	12	6	4	—	—	3	—
#54-402	36	18	16	4	6	5	2

