

[See all 3 Products in Family](#)

## 25.0/25.4mm Optic Dia., E-Series Clear Edge Kinematic Mount



#17-279, 25.0/25.4mm Optic Dia., E-Series Clear Edge Kinematic Mount

Stock **#17-279** [CONTACT US](#)

⊖ 1 ⊕ C\$78<sup>40</sup>

**ADD TO CART**

### Volume Pricing

Qty 1-9	C\$78.40 each
Qty 10-19	C\$74.62 each
Qty 20+	C\$70.84 each
Need More?	<a href="#">Request Quote</a>

### Product Downloads

### General

Adjustable - Tip-Tilt **Type:**

Circular **Type of Optics:**

2 **Number of Adjustment Screws:**

### Physical & Mechanical Properties

23	<b>Clear Aperture CA (mm):</b>
	<b>Construction:</b> Aluminum Plates, Stainless Steel Screws, and Brass Thread Bushings
±3.5	<b>Fine Tilt Angle (°):</b>
±3.5	<b>Fine Tip Angle (°):</b>
0.25	<b>Adjustment Screw Pitch (mm):</b>
Yes	<b>1" Optical Axis Height:</b>
2	<b>Min. Thickness of Compatible Optics (mm):</b>
25.40	<b>Optical Axis Height (mm):</b>

## Threading & Mounting

25.0 - 25.4	<b>Size of Compatible Optics (mm):</b>
M6 x 1.0, M4 x 0.7, 8-32	<b>Compatible Post:</b>

## Regulatory Compliance

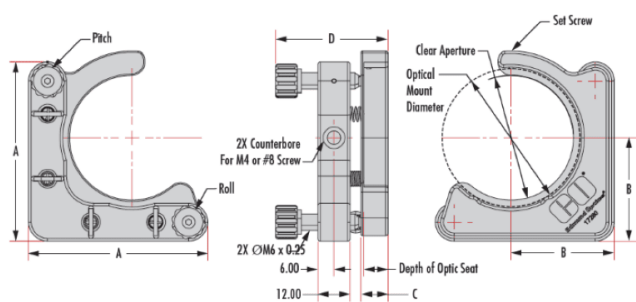
<a href="#">Compliant</a>	<b>RoHS 2015:</b>
<a href="#">View</a>	<b>Certificate of Conformance:</b>
<a href="#">Compliant</a>	<b>Reach 247:</b>

## Product Details

- 120° Clear Edge for Mounting Beamsplitters and Transmissive Optics
- Economically Priced
- Essential Mounts for Experiments and OEM Systems

E-Series Clear Edge Kinematic Optical Mirror Mounts offer many features essential for applications in R&D, prototyping, and system integration. Featuring a 120° cut out, these mounts are ideal for mounting beamsplitters and transmissive optics while accommodating a wider beam path when mounted at a 45° angle. The two M6 x 0.25 (101.6 TPI) adjustment screws provide smooth movement and can be driven by hand or by Allen key (2mm key size) for tip and tilt optical adjustment and alignment (±3.5°). The adjustment screw knobs are removable to create a more compact form factor. E-Series Clear Edge Kinematic Optical Mirror Mounts feature mounting holes with both a counterbore designed to accommodate M4 or 8-32 mounting hardware, and M6 x 1.0 internal threads for increased mounting versatility and direct compatibility to [TECHSPEC® Stainless Steel Mounting Posts](#) and [Pedestal Posts](#).

## Technical Information



Dimensions				
Optical Mount Dia. (mm)	A (mm)	B (mm)	C (mm)	D (mm)
12.5/12.7	43.5	25.4	8.0	39.5
25/25.4	43.5	25.4	8.0	39.5
50/50.8	66.0	38.1	10.0	41.5