

25.0/25.4mm Optic Dia., Kinematic Mirror Mount



Stock #55-003 **14 In Stock**

- 1 + C\$470.⁰⁰

ADD TO CART

Volume Pricing

Qty 1-4	C\$470.40 each
Qty 5+	C\$447.30 each
Need More?	Request Quote

Product Downloads

General

Adjustable - Tip-Tilt **Type:**

Circular **Type of Optics:**

Lead Screw **Type of Adjustment Screws:**

Physical & Mechanical Properties

22.0 **Clear Aperture CA (mm):**

±2.5 Fine Tilt Angle (°):

±2.5 Fine Tip Angle (°):

3.0 Min. Thickness of Compatible Optics (mm):

Threading & Mounting

25.0 - 25.4 Size of Compatible Optics (mm):

M6 x 1.0 Compatible Post:

Regulatory Compliance

[Exempt](#) RoHS 2015:

[View](#) Certificate of Conformance:

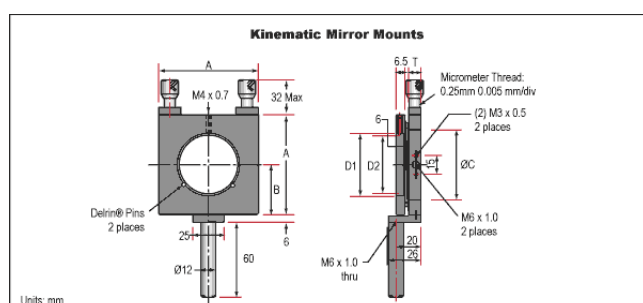
[Contains SVHC\(s\)](#) Reach 247:

Product Details

- Micrometer or Lead Screw Driven Tip-Tilt Adjustment
- Color Coded Knobs for Tip and Tilt
- Set Screws and Delrin® Pads Hold Optical Component in Place
- [Posts](#) and [Post Holders](#) Required for Mounting

Top Adjustment Kinematic Mounts attach to posts or other optomechanics to securely hold optical components in place. Micrometers or adjustment screws are positioned at the top of the mounts to avoid interfering with system placement. The M6 mounting hole is positioned to where the first surface of the mounted mirror is as close to the post centerline as possible. Top Adjustment Kinematic Mounts are constructed of black anodized aluminum. [Posts](#) and [Post Holders](#) are required for mounting to a breadboard.

Technical Information



Optic Diameter D1 (mm)	Clear Aperture, D2 (mm)	A (mm)	B (mm)	C (mm)	Stock No.
25.00	22.00	60.00	30.00	36.00	#56-327
					#56-238*
25.40	22.00	60.00	30.00	36.00	#55-003
					#55-456*
50.80	47.00	80.00	40.00	56.00	#55-005
					#56-326*
50.00	47.00	80.00	40.00	56.00	#55-457*
* with micrometer					