

[See all 12 Products in Family](#)

## 25.4mm w/ micrometer, Glan-Thompson Mount



Stock #57-572 **3 In Stock**

- 1 + C\$798<sup>00</sup>

**ADD TO CART**

### Volume Pricing

Qty 1-4	C\$798.00 each
Qty 5-25	C\$718.20 each
Qty 26-49	C\$678.58 each
Need More?	<a href="#">Request Quote</a>

### Product Downloads

### General

Adjustable - Rotary **Type:**

Cylindrical Tube **Type of Optics:**

### Physical & Mechanical Properties

18.0 **Clear Aperture CA (mm):**

5 arcminutes **Increments:**

360 **Coarse Rotation (°):**

±5 **Fine Rotation (°):**

## Hardware & Interface Connectivity

Micrometer **Type of Drive:**

## Threading & Mounting

25.4 **Size of Compatible Optics (mm):**

39.0 (Max) **Thickness of Compatible Optics (mm):**

M6 x 1.0 **Compatible Post:**

Glan-Thompson **Type of Mounting Optics:**

## Regulatory Compliance

[Exempt](#) **RoHS 2015:**

[View](#) **Certificate of Conformance:**

[Contains SVHC\(s\)](#) **Reach 247:**

## Product Details

- Coarse and Fine Movement Available
- Black Anodized Aluminum
- [Posts](#) and [Post Holders](#) Required for Mounting

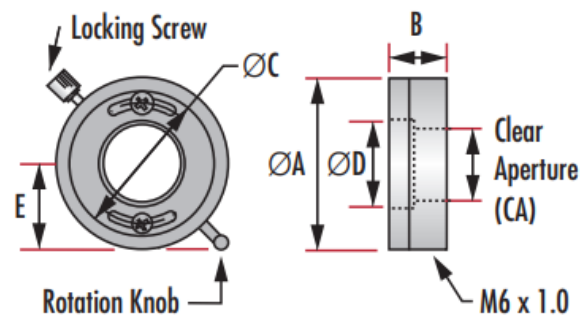
Metric Polarizer Mounts feature secure optic retainer, lever arm for smooth rotation, locking knob for repeatability and 360° scaled vernier. [Posts](#) and [Post Holders](#) are required for mounting to a breadboard. Micrometer version provides fine adjustment. Metric Polarizer Mounts, for Micrometer Driven version only: total travel of the 0.25mm pitch fine adjustment screw is 10°. Total angular rotation per rotation of knob is 20 minutes. \*40mm total including 34mm diameter mounting tube.

## Technical Information

Diameter of Compatible Optics D	Clear Aperture CA	Drive Type	Mount Diameter A	Mount Thickness B	C	E	Stock No.
Standard							
20.0	17	Standard	50	19	34	24.0	<a href="#">#55-454</a>
25.4	22	Micrometer	69	-	-	33.5	<a href="#">#55-011</a>
25.4	22	Standard	60	20	42	29.5	<a href="#">#55-010</a>
30.0	27	Micrometer	69	-	-	33.5	<a href="#">#57-570</a>
30.0	27	Standard	60	20	42	29.5	<a href="#">#57-569</a>
50.0	47	Micrometer	89	-	-	43.5	<a href="#">#56-329</a>
50.0	47	Standard	80	20	62	39.5	<a href="#">#55-455</a>
Glan-Thompson Polarizer Mbunts							
25.4	18	Micrometer	69	-*	-	33.5	<a href="#">#57-572</a>
25.4	18	Standard	60	20*	42	29.5	<a href="#">#57-571</a>

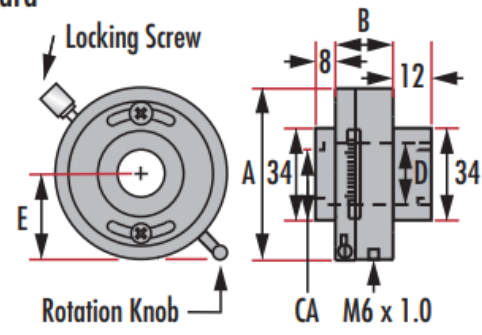
### Polarizer Mounts

Standard

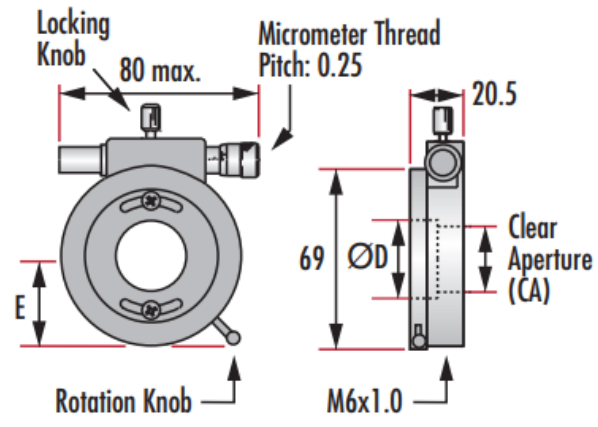


### Glan-Thompson Mount

Standard



Micrometer Driven



Micrometer Driven

