

[See all 53 Products in Family](#)

## 2.5mm FL, IR-Cut Filter at 650nm, f/2.5, Micro Video Lens



Stock #66-884 **20+ In Stock**

⊖ 1 ⊕ C\$107<sup>00</sup>

**ADD TO CART**

Volume Pricing	
Qty 1-49	C\$107.80 each
Qty 50+	C\$86.80 each
Need More?	<a href="#">Request Quote</a>

### Product Downloads

### General

**Product Family:**  
Long Working Distance Optimized Imaging Lenses

**Note:**  
IR Cut-Off Filter Included

**Type:**  
M12 Imaging Lens

**IR Cut Filter:**  
Yes

**Special Type of Lens:**

## Physical & Mechanical Properties

Fixed	<b>Iris Option:</b>
19.10	<b>Length (mm):</b>
17.0	<b>Maximum Diameter (mm):</b>
17	<b>Outer Diameter (mm):</b>

## Optical Properties

115.8	<b>Horizontal Field of View @ Max Sensor Format:</b>
6.00	<b>Maximum Image Circle (mm):</b>
63 lp/mm @ 20% Contrast	<b>Resolution, On-Axis:</b>
48 lp/mm @ 20% Contrast	<b>Resolution, 0.7 Field:</b>
30 lp/mm @ 20% Contrast	<b>Resolution, Full Field:</b>
2.50	<b>Focal Length FL (mm):</b>
400 - ∞	<b>Working Distance (mm):</b>
f/2.5	<b>Aperture (f/#):</b>
-60 @ Full Field	<b>Distortion (%):</b>
-60	<b>Maximum Distortion (%):</b>
VIS (IR-Cut Filter)	<b>Lens Wavelength Range:</b>

## Sensor

1/3"	<b>Maximum Sensor Format:</b>
3.45	<b>Pixel Size (µm):</b>

## Threading & Mounting

M12 x 0.50	<b>Filter Thread:</b>
S-Mount (M12 x 0.5)	<b>Mount:</b>

## Regulatory Compliance

<a href="#">Exempt</a>	<b>RoHS 2015:</b>
<a href="#">View</a>	<b>Certificate of Conformance:</b>
<a href="#">Contains SVHC(s)</a>	<b>Reach 242:</b>

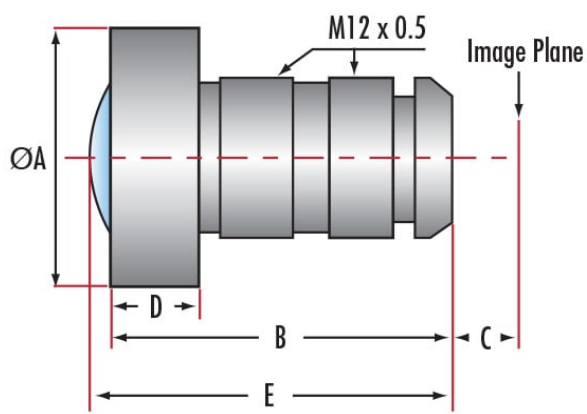
## Product Details

- Up to 2/3", S-Mount Lens
- Wide Field of View Board Camera Lens
- 1.68mm to 50mm Focal Length

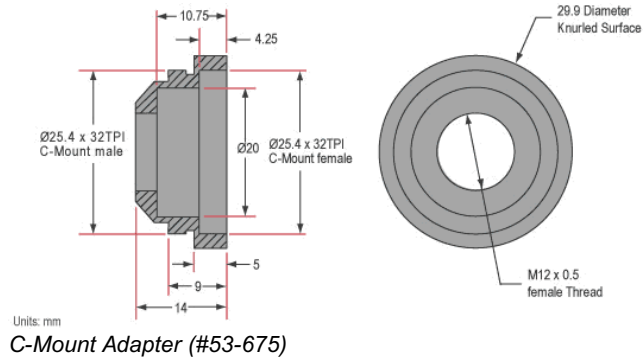
Long Working Distance Optimized Imaging Lenses are designed for use in micro sensor board cameras. These lenses provide excellent image quality in a small, versatile package. Optimized to cover 2/3" sensor formats, they are an ideal choice for wide angle and close focus applications. Long Working Distance Optimized Imaging Lenses have 1.68 to 50mm focal lengths. All lenses are threaded for M12 x 0.5. Some models with Back Focal Distances (dimension "C") less than 4mm may be incompatible with some color cameras due to the camera's Bayer filter. We recommend such lenses for use with monochrome cameras only. Lenses are designed for the 400nm to 700nm range.

**Note:** A line of [M12 Imaging Lens Accessories](#) is available for these products.

## Technical Information



Infinite Conjugate M12 Imaging Lenses



C-Mount Adapter (#53-675)

Stock #	Focal Length (mm)	Aperture (f/#)	A (mm)	B (mm)	C (mm)	D (mm)	E (mm)
#59-776	1.68	2.5	15.0	13.2	3.3	2.8	15.1
#56-774	1.74	2.8	21.0	19.61	3.33	3.2	N/A
#64-106	1.9	2.0	17.0	14.58	4.2	4.0	15.24
#55-569	2.1	2.0	17.0	18.3	4.8	3.7	19.4
#57-681	2.5	2.5	17.0	19.1	4.4	3.7	20.3
#55-570	2.9	2.0	15.0	17.4	5.2	5.8	17.8
#59-778	3.0	2.0	14.0	15.3	5.3	3.9	N/A
#57-684	6.05	1.8	15.0	15.6	8.0	6.0	N/A
#55-573	6.37	2.4	14.8	13.12	5.3	3.3	N/A
#55-574	8.0	2.5	15.0	13.5	5.8	3.0	N/A
#63-762	10.1	2.8	15.0	13.4	6.1	3.2	N/A
#65-251	10.4	2.8	14.0	8.93	6.4	4.0	N/A
#56-775	12.0	2.0	14.0	12.1	6.2	4.0	N/A
#64-108	16.0	2.0	14.0	14.4	8.0	4.5	N/A
#83-107	16.0	4.0	14.0	14.4	8.0	4.5	N/A
#56-776	25.0	2.5	25.0	23.2	8.1	6.7	N/A
#59-780	35.0	2.0	25.0	23.4	15.8*	6.0	N/A
#59-781	50.0	2.5	27.0	52.8	4.1	8.0	N/A

\*Note: 35.0mm lens has a large flange focal length. Please make proper adjustments when mounting.  
 \*\*#66-881, B(mm): 20.49  
 \*\*\*#66-884, B(mm): 19.8, E(mm): 21

Stock #	Focal Length (mm)	Aperture (f/#)	A (mm)	B (mm)	C (mm)	D (mm)	E (mm)
#88-587	3.0	2.0	15.0	15.35	5.2	4	16
#88-588	3.5	2.5	15.0	15.4	6.9	4	N/A
#11-323	3.7	1.6	19	24.04	5.46	6.5	24.16
#11-324	4.0	1.8	20	23.8	5.01	7	24.72
#88-589	4.0	2.0	15.0	16.1	5.9	3.8	N/A
#88-590	4.3	2.0	22.0	20.96	5.5	6	21.93
#11-325	4.6	1.6	19	24.18	5.44	7	24.32
#88-591	4.6	2.0	12.0	13.1	1.9	6	N/A
#88-592	5.6	2.0	17.0	22.21	5.3	5	22.38
#89-750	6.0	2.0	14.0	15.1	6.7	3.93	N/A
#11-326	7.0	1.6	19	25.24	5.47	7.2	24.2
#89-751	8.0	2.0	15.0	14.4	6.8	4.5	N/A
#89-752	12.0	2.0	15.0	14.3	5.7	4.5	N/A

