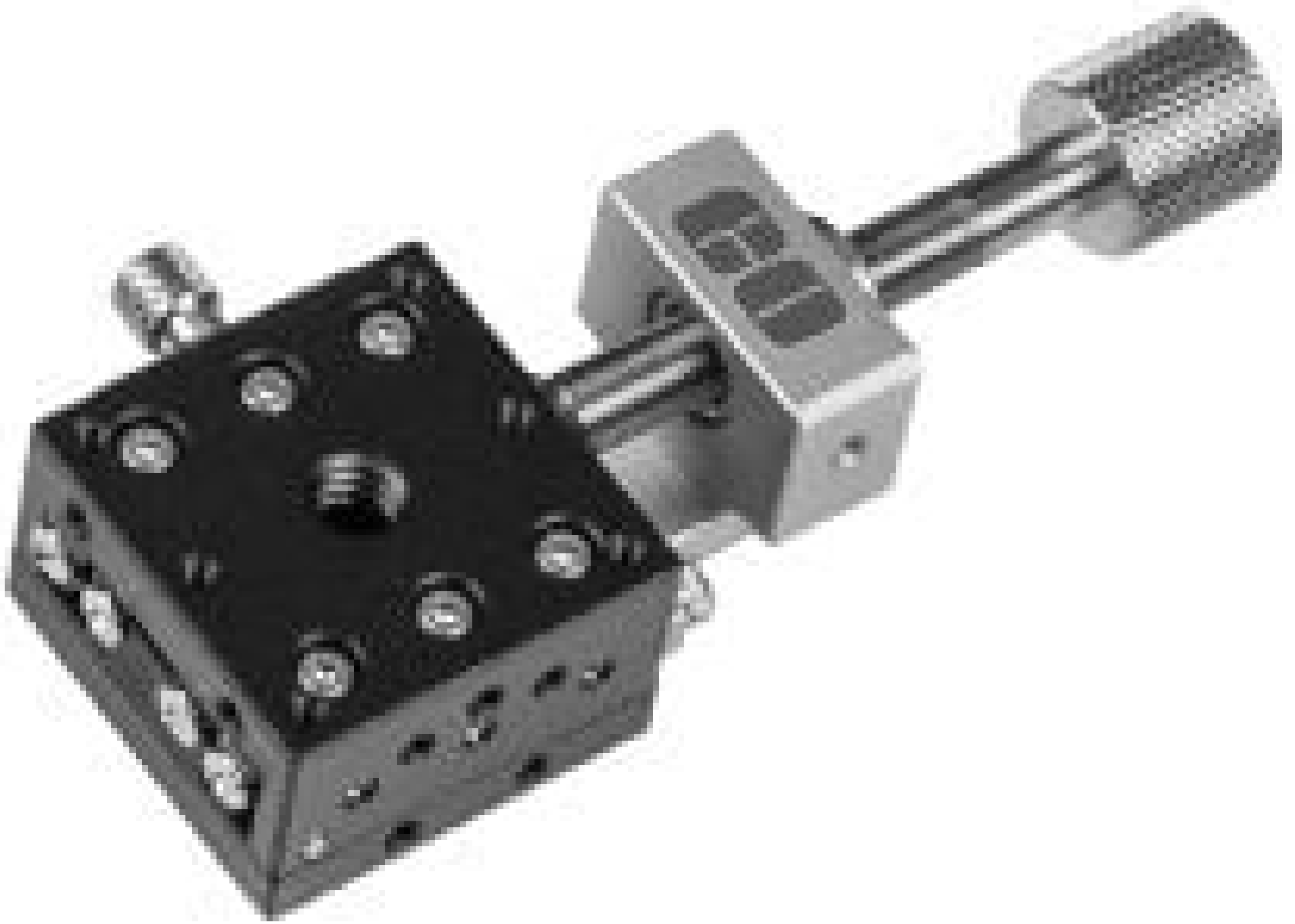


**TECHSPEC® 30mm, Center Drive, Standard Top, 0.5" Travel, English Stage**



30mm, Center Drive, Solid Top, 0.5" Travel Stage

Stock **#66-386** **5 In Stock**

⊖ 1 ⊕ C\$502<sup>00</sup>

**ADD TO CART**

Volume Pricing

Qty 1-2	C\$502.60 each
Qty 3+	C\$439.60 each
Need More?	<a href="#">Request Quote</a>

Product Downloads

**General**

English **Type:**

**Physical & Mechanical Properties**

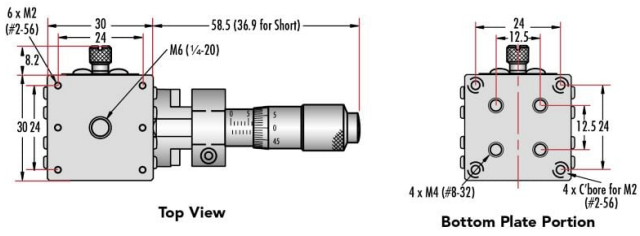
Linear (X) **Type of Movement:**

Crossed Roller Bearing **Guide System:**

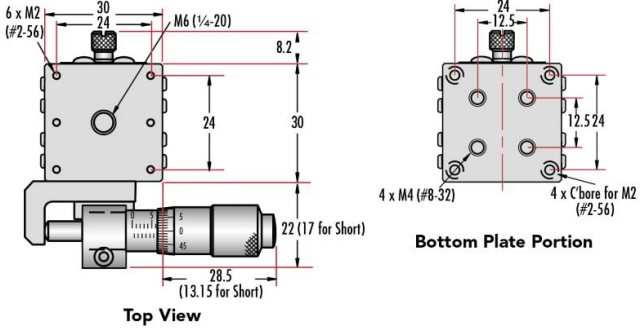
**Drive Orientation:**



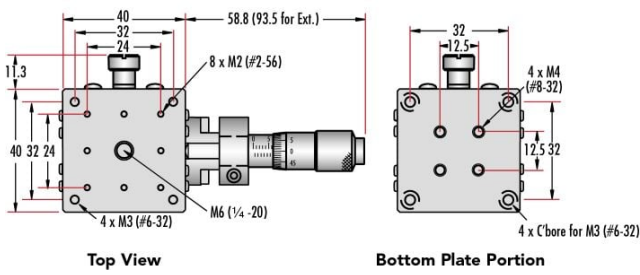
**30mm Standard-Top Stages - Center Drive**



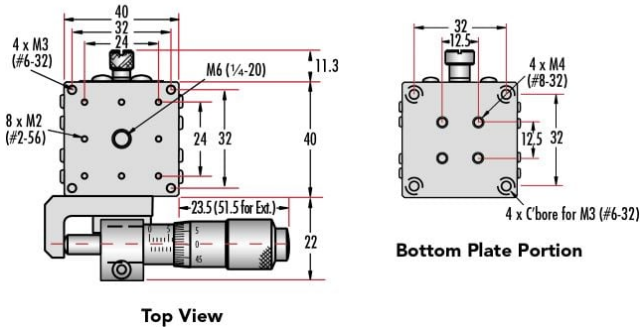
**30mm Standard-Top Stages - Side Drive**



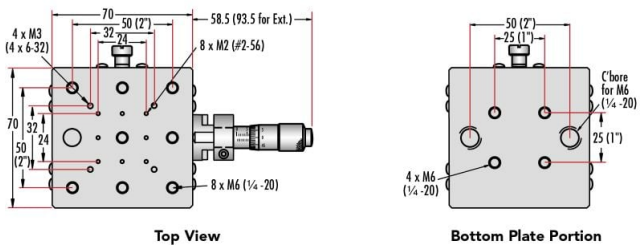
**40mm Standard-Top Stages - Center Drive**



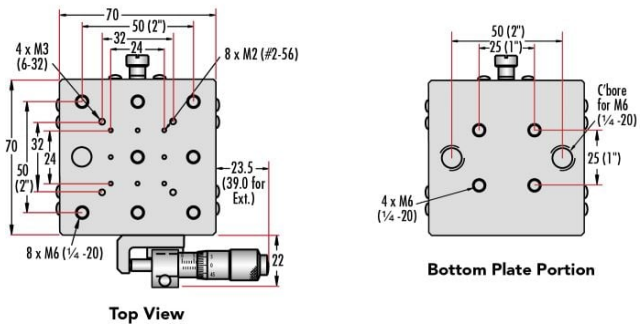
**40mm Standard-Top Stages - Side Drive**



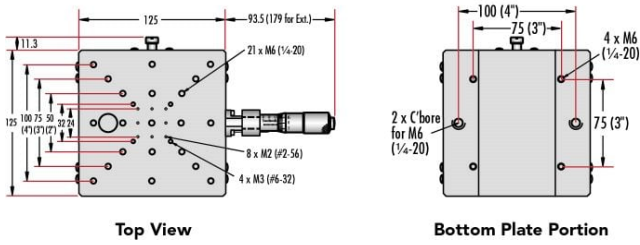
**70mm Standard-Top Stages - Center Drive**



**70mm Standard-Top Stages - Side Drive**



**125mm Standard-Top Stages - Center Drive**



**125mm Standard-Top Stages - Side Drive**

