

[See all 12 Products in Family](#)

## 30mm, Polarizer Mount



Stock #57-569 **9 In Stock**

− 1 + C\$309<sup>00</sup>

**ADD TO CART**

### Volume Pricing

|            |                               |
|------------|-------------------------------|
| Qty 1-4    | C\$309.40 each                |
| Qty 5-25   | C\$278.46 each                |
| Qty 26-49  | C\$263.06 each                |
| Need More? | <a href="#">Request Quote</a> |

### Product Downloads

#### General

Adjustable - Rotary **Type:**

Circular **Type of Optics:**

#### Physical & Mechanical Properties

27.0 Clear Aperture CA (mm):

1° Increments:

360 Coarse Rotation (°):

N/A Fine Rotation (°):

## Hardware & Interface Connectivity

Standard Type of Drive:

## Threading & Mounting

30.0 Size of Compatible Optics (mm):

7.0 (Max) Thickness of Compatible Optics (mm):

M6 x 1.0 Compatible Post:

Polarizer Type of Mounting Optics:

## Regulatory Compliance

[Exempt](#) RoHS 2015:

[View](#) Certificate of Conformance:

[Contains SVHC\(s\)](#) Reach 247:

## Product Details

- Coarse and Fine Movement Available
- Black Anodized Aluminum
- [Posts](#) and [Post Holders](#) Required for Mounting

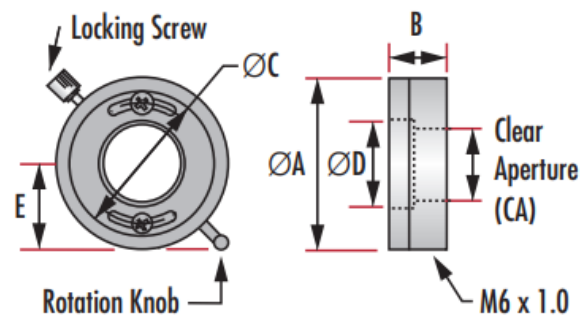
Metric Polarizer Mounts feature secure optic retainer, lever arm for smooth rotation, locking knob for repeatability and 360° scaled vernier. [Posts](#) and [Post Holders](#) are required for mounting to a breadboard. Micrometer version provides fine adjustment. Metric Polarizer Mounts, for Micrometer Driven version only: total travel of the 0.25mm pitch fine adjustment screw is 10°. Total angular rotation per rotation of knob is 20 minutes. \*40mm total including 34mm diameter mounting tube.

## Technical Information

| Diameter of Compatible Optics D | Clear Aperture CA | Drive Type | Mount Diameter A | Mount Thickness B | C  | E    | Stock No.               |
|---------------------------------|-------------------|------------|------------------|-------------------|----|------|-------------------------|
| Standard                        |                   |            |                  |                   |    |      |                         |
| 20.0                            | 17                | Standard   | 50               | 19                | 34 | 24.0 | <a href="#">#55-454</a> |
| 25.4                            | 22                | Micrometer | 69               | -                 | -  | 33.5 | <a href="#">#55-011</a> |
| 25.4                            | 22                | Standard   | 60               | 20                | 42 | 29.5 | <a href="#">#55-010</a> |
| 30.0                            | 27                | Micrometer | 69               | -                 | -  | 33.5 | <a href="#">#57-570</a> |
| 30.0                            | 27                | Standard   | 60               | 20                | 42 | 29.5 | <a href="#">#57-569</a> |
| 50.0                            | 47                | Micrometer | 89               | -                 | -  | 43.5 | <a href="#">#56-329</a> |
| 50.0                            | 47                | Standard   | 80               | 20                | 62 | 39.5 | <a href="#">#55-455</a> |
| Glan-Thompson Polarizer Mbunts  |                   |            |                  |                   |    |      |                         |
| 25.4                            | 18                | Micrometer | 69               | -*                | -  | 33.5 | <a href="#">#57-572</a> |
| 25.4                            | 18                | Standard   | 60               | 20*               | 42 | 29.5 | <a href="#">#57-571</a> |

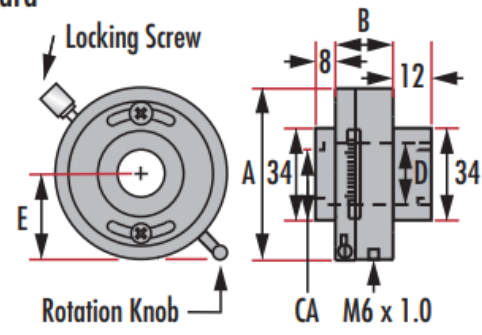
### Polarizer Mounts

Standard



### Glan-Thompson Mount

Standard



Micrometer Driven



Micrometer Driven

