

[See all 16 Products in Family](#)

## 30mm Precision Stage, Metric Dovetail Carrier



30mm Precision Stage, Metric Dovetail Carrier

Stock **#12-507** **20+ In Stock**

⊖ 1 ⊕ C\$166<sup>00</sup>

**ADD TO CART**

### Volume Pricing

Qty 1-9	C\$166.60 each
Qty 10+	C\$147.14 each
Need More?	<a href="#">Request Quote</a>

### Product Downloads

#### General

Metric **Type:**

Carrier **Note:**

#### Physical & Mechanical Properties

Linear (X) **Type of Movement:**

**Guide System:**

Dovetail

Length (inches):

1.18

Length (mm):

30.00

Construction:

Black Anodized Aluminum

## Hardware & Interface Connectivity

Type of Drive:

Manual

## Threading & Mounting

Mounting Threads:

(8) M2 x 0.4, (1) M6 x 1.0

## Regulatory Compliance

RoHS 2015:

Compliant

Certificate of Conformance:

[View](#)

REACH 241:

Compliant

## Product Details

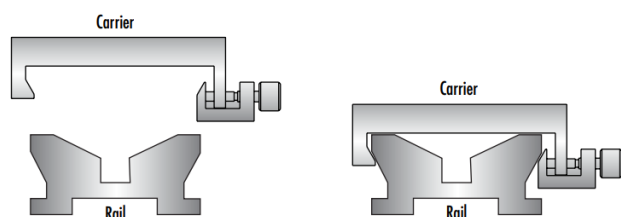
- Wide Range of Carrier Length and Mounting Hole Options Available
- Low Profile Design with Smooth Movement
- Increased Stability and <1mrad Straight Line Accuracy

Dovetail Optical Rail Systems are designed for easy and stable installation and positioning of various optical components along the same axis. The rails feature slotted holes that allow them to be fixed to standard 1/4-20 TPI and M6 breadboards or optical tables. Carriers are available with different lengths and hole patterns to meet various mounting needs including options that are directly compatible with our [TECHSPEC® Manual Stages](#) for precision alignment. Carriers utilize a unique two-piece design to prevent the locking screws from contacting the rail and to allow easy attachment and removal. All Dovetail Optical Rail System parts are constructed of black anodized aluminum to minimize stray reflections or glare.

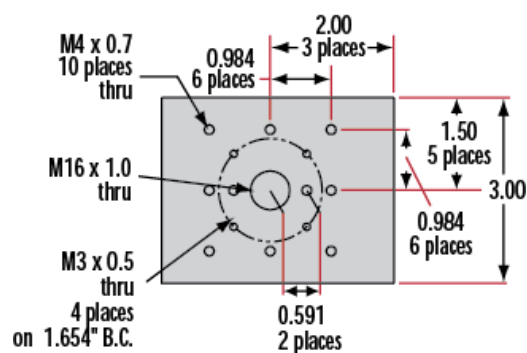
**Note:** Rails and carriers are sold separately.

## Technical Information

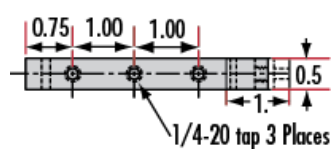
Side Profile of Rail System



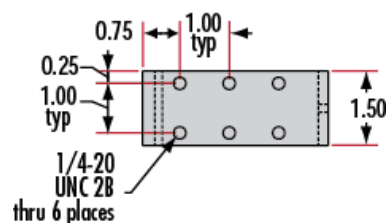
Large Carrier #55-340



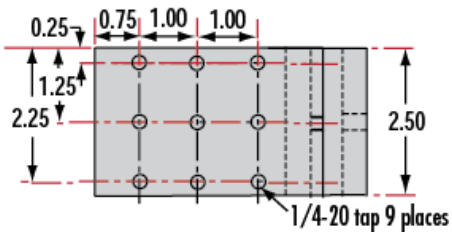
Small Carrier #54-403



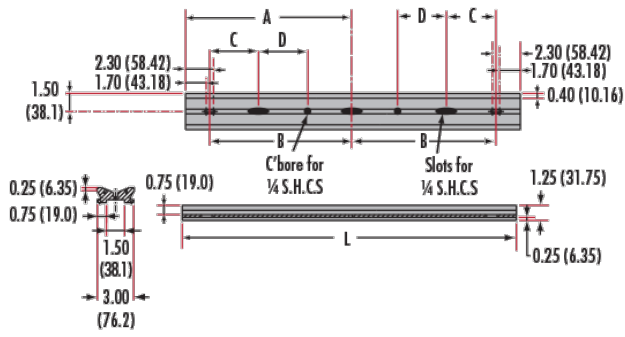
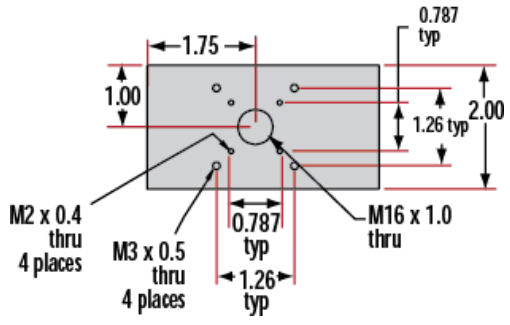
Medium Carrier #55-339



Large Carrier #55-404



Medium Carrier #55-341



Common Side Profile



Stock No.	L	A	B	C	D	# Slots	# C'bores
#54-401	12	6	4	—	—	3	—
#54-402	36	18	16	4	6	5	2

