

**TECHSPEC® 40mm, Center Drive, Standard Top, English Stage**



40mm, 0.5" Travel, Lead Screw Drive Stage (Center Drive)

Stock **#66-402** **1 In Stock**

- 1 + C\$547<sup>00</sup>

**ADD TO CART**

Volume Pricing

Qty 1-2	C\$547.40 each
Qty 3+	C\$477.96 each
Need More?	<a href="#">Request Quote</a>

Product Downloads

**General**

English **Type:**

**Physical & Mechanical Properties**

Linear (X) **Type of Movement:**

Crossed Roller Bearing **Guide System:**

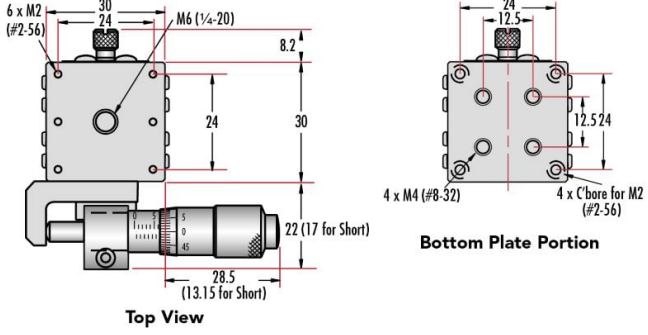
**Drive Orientation:**



**30mm Standard-Top Stages - Center Drive**



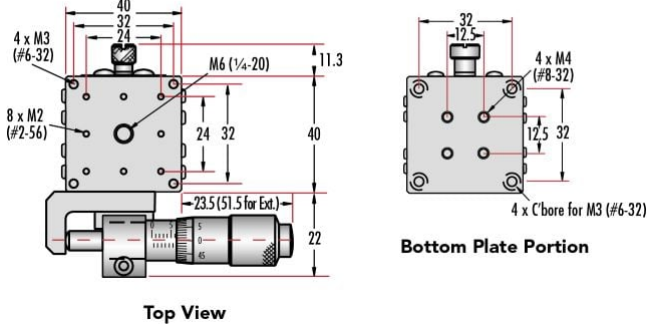
**30mm Standard-Top Stages - Side Drive**



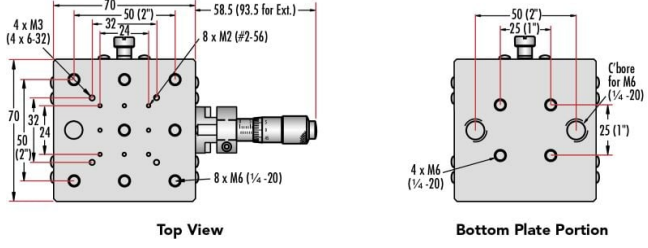
**40mm Standard-Top Stages - Center Drive**



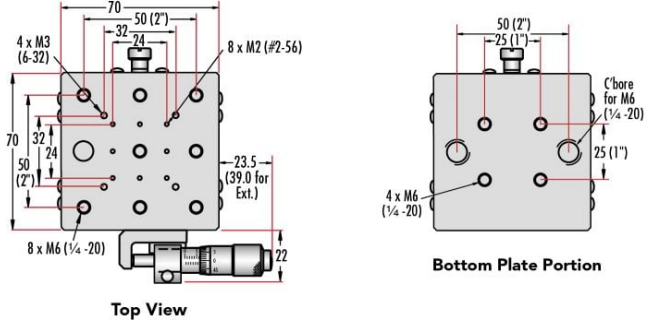
**40mm Standard-Top Stages - Side Drive**



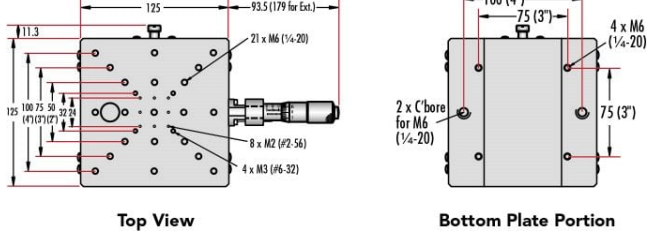
**70mm Standard-Top Stages - Center Drive**



**70mm Standard-Top Stages - Side Drive**



**125mm Standard-Top Stages - Center Drive**



**125mm Standard-Top Stages - Side Drive**

