

TECHSPEC 40mm, Side Drive, Standard Top, English, Micrometer Stage



40mm, Side Drive, Standard Top

Stock **#66-406** **2 In Stock**

- 1 + C\$613²⁰

ADD TO CART

Volume Pricing

Qty 1-2	C\$613.20 each
Qty 3+	C\$534.80 each
Need More?	Request Quote

Product Downloads

General

English **Type:**

Physical & Mechanical Properties

Linear (X) **Type of Movement:**

Crossed Roller Bearing **Guide System:**

Drive Orientation:

30mm Standard-Top Stages - Center Drive



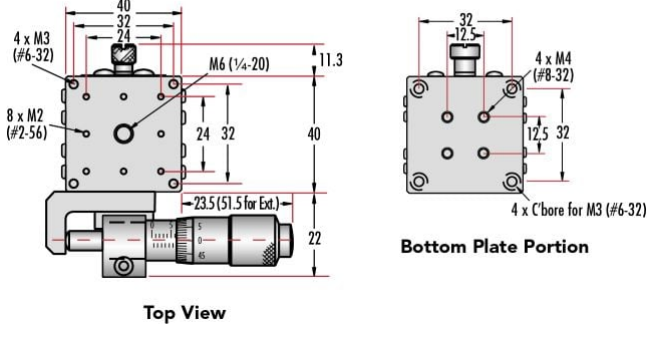
30mm Standard-Top Stages - Side Drive



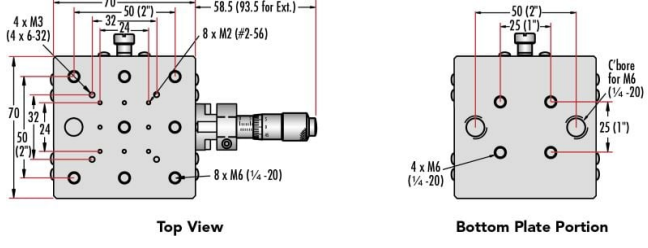
40mm Standard-Top Stages - Center Drive



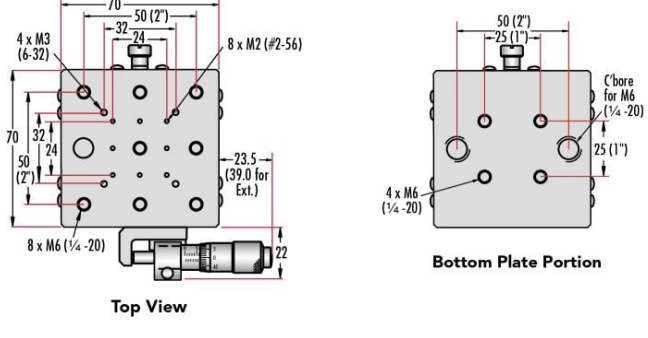
40mm Standard-Top Stages - Side Drive



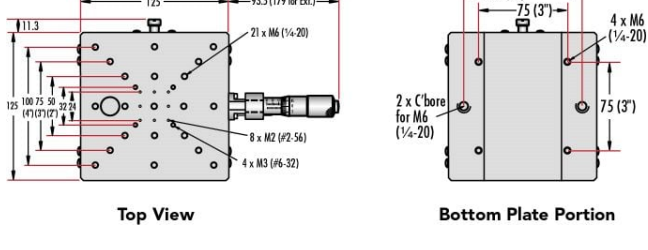
70mm Standard-Top Stages - Center Drive



70mm Standard-Top Stages - Side Drive



125mm Standard-Top Stages - Center Drive



125mm Standard-Top Stages - Side Drive

