

[See all 4 Products in Family](#)

40mm Sq., Fixed Filter Holder



40mm Sq., Fixed Filter Holder

Stock #54-997 **20+ In Stock**

− 1 + C\$130⁰⁰

ADD TO CART

Volume Pricing

Qty 1-9	C\$130.90 each
Qty 10-25	C\$118.58 each
Qty 26-49	C\$109.34 each
Need More?	Request Quote

Product Downloads

General

Fixed **Type:**
Square or Rectangular **Type of Optics:**

Physical & Mechanical Properties

Black Anodized Aluminum **Construction:**

Max. Thickness of Compatible Optics (mm):
8.5

Base Width (mm):
70.0

Base Thickness (mm):
16.0

Threading & Mounting

Size of Compatible Optics (mm):
40.0 - 101.6

Compatible Post:
M6 x 1.0

Regulatory Compliance

RoHS 2015:
[Exempt](#)

Certificate of Conformance:
[View](#)

Reach 247:
[Contains SVHC\(s\)](#)

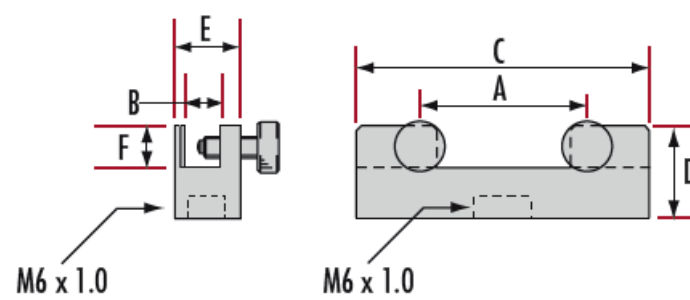
Product Details

- Non-Marring Surface
- 3 Sizes Available
- M6 x 1.0 mounting hole
- Black Anodized Aluminum
- [Posts](#) and [Post Holders](#) Required for Mounting

Fixed Filter Mounts are ideal for a variety of filter sizes, as well as for mirrors, beamsplitters, etc. The low-profile design ensures limited obstruction of the aperture. The mounts feature a non-marring surface with a M6 x 1.0 mounting hole. Fixed Filter Mounts are constructed of black anodized aluminum and are available in 3 sizes: 15mm Sq., 40mm Sq., and 80mm Sq. [Posts](#) and [Post Holders](#) are required for mounting to a breadboard.

Technical Information

A	B	C	D	E	F	Stock No.
15	5	30	15	10	5	#54-996
40	8.5	70	22	16	10	#54-997
80	18	140	30	30	15	#54-998



Units: mm