

## 40X Objective, S Plan Fluor ELWD

See More by [Nikon](#)



Stock #75-372 **NEW** 1 In Stock

⊖ 1 ⊕ C\$4,263<sup>00</sup>

**ADD TO CART**

Volume Pricing	
Qty 1+	C\$4,263.00 each
Need More?	<a href="#">Request Quote</a>

### Product Downloads

### General

Model Number:  
MRH08430

Compatible Tube Lens Focal Length (mm):  
Focal Length: 200mm

Type:  
Microscope Objective

Style:  
Infinity Corrected

Manufacturer:  
Nikon

## Physical & Mechanical Properties

0.55 **Field of View (mm):**

56.11 **Length excluding Threads (mm):**

34 **Maximum Diameter (mm):**

200 **Weight (g):**

## Optical Properties

0-2 **Compatible Cover Glass Thickness (mm):**

0.025 **Horizontal Field of View, 1/2" Sensor:**

0.22 **Horizontal Field of View, 2/3" Sensor:**

40X **Magnification:**

0.60 **Numerical Aperture NA:**

2.8-3.6 **Working Distance (mm):**

22 **Field Number (mm):**

60.41 **Parfocal Length (mm):**

N/A **Immersion Liquid:**

## Sensor

2/3" **Maximum Sensor Format:**

## Threading & Mounting

M25 x 0.75 **Mounting Threads:**

## Regulatory Compliance

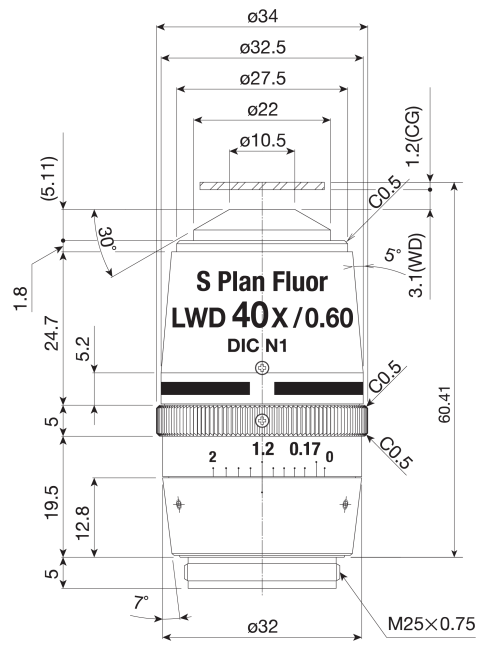
[View](#) **Certificate of Conformance:**

## Product Details

- Extra-Long Working Distance (ELWD)
- Broad Spectral Transmittance
- Versatility in Observation Modes

Nikon CFI S Plan Fluor ELWD Objectives are designed with an extra-long working distance to allow for high-resolution imaging of large samples and culture vessels of varying thicknesses. With broad spectral transmittance, from near-ultraviolet to near-infrared wavelengths, these objectives enable versatile imaging across multiple advanced microscopy techniques. These objectives allow for greater flexibility and protect delicate specimens during observations by not requiring immersion media. Nikon CFI S Plan Fluor ELWD Objectives are available in a variety of magnifications and support common observation modes, including brightfield, darkfield, DIC, phase contrast, and polarizing microscopy. These objectives are ideal for general fluorescence, brightfield, calcium imaging, and DIC applications.

## Technical Information



;