

## 108.0mm/4.25" Optic Dia., Optical Cell Kinematic Mount



Stock #57-872 [CONTACT US](#)

- 1 + C\$1,463<sup>00</sup>

**ADD TO CART**

### Volume Pricing

|            |                               |
|------------|-------------------------------|
| Qty 1-9    | C\$1,463.00 each              |
| Qty 10-19  | C\$1,286.60 each              |
| Qty 20-49  | C\$1,184.40 each              |
| Need More? | <a href="#">Request Quote</a> |

### Product Downloads

#### General

Adjustable - Tip-Tilt **Type:**

Circular **Type of Optics:**

5° **Range:**

4.625 x20 TPI **Inner Diameter (inches):**

**Optic Holding Style:**  
[#57-871](#) Required

## Physical & Mechanical Properties

4.06 ([#57-871](#)) **Clear Aperture CA (inches):**

103.1 ([#57-871](#)) **Clear Aperture CA (mm):**

85.9 **Optical Centerline (mm):**

5.75 x3.00 x6.25 **Dimensions (inches):**

146.1 x76.2 x158.8 **Dimensions (mm):**

3.0 **Weight (lbs):**

**Construction:**  
Black Anodized Aluminum, Stainless Steel

4.25 **Diameter of Compatible Optics (inches):**

3.38 **Optical Centerline (inches):**

22.0 ([#57-871](#)) **Max. Thickness of Compatible Optics (mm):**

0.015 **Adjustment Screw Pitch (inches):**

## Threading & Mounting

108.0 **Size of Compatible Optics (mm):**

## Regulatory Compliance

**RoHS 2015:**  
[Compliant](#)

**Certificate of Conformance:**  
[View](#)

## Product Details

- Robust Kinematic Mounts for Larger Diameter Optics
- Ball Pivot and Fine Pitch Screws Provide Pitch and Roll
- 50% Greater Resolution than Micrometer Adjustments

Optical Cell Kinematic Mounts provide highly stable kinematic movement with two axis tilt (pitch and roll) provided by a precise ball pivot adjustment and an orthogonal three-point suspension. Adjustment is made by three 64-pitch screws (two 64-pitch screws for 1-2" diameter model). For the 6" diameter model, adjustment is made by two 64-pitch screws for and with three 32-pitch screws for 8" up to 12.5" diameter models. Optical Cell Kinematic Mounts feature fine pitch screws, which permit 50% greater resolution than a micrometer. An angled base on the mount allows for stand-alone installation and mounting. These mounts have integral optic cell design allowing optics to be held undistorted.

**Note:** For mounting 12" diameter optics in our 12.5" Diameter Optical Mount, use the 12.5" to 12" Adapter Kit (#12-226). The Adapter Kit and 12.5" Diameter Optical Mount are offered together as #12-227.

## Technical Information

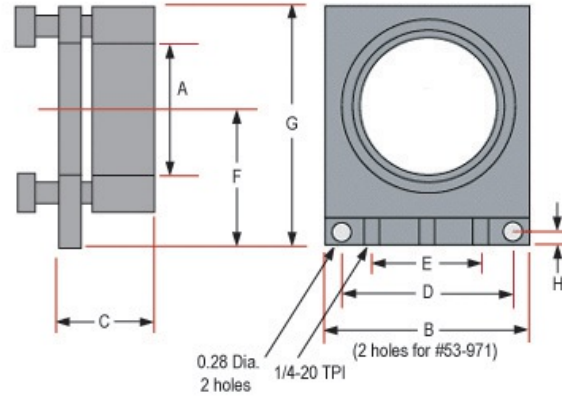
| Optic Diameter | A            | B    | C    | D    | E    | F    | G    | H    | I | J    | K | Stock No.               |
|----------------|--------------|------|------|------|------|------|------|------|---|------|---|-------------------------|
| 1-2"           | 2.25-20 TPI  | 3.75 | 2.00 | 2.00 | 0.38 | 2.00 | 3.50 | 0.28 | - | 2.12 | - | <a href="#">#53-964</a> |
| 3"             | 3.25-20 TPI  | 5.75 | 3.00 | 4.00 | 1.25 | 3.38 | 6.25 | 0.28 | - | 5.00 | - | <a href="#">#53-965</a> |
| 4.25"          | 4.625-20 TPI | 5.75 | 3.00 | 4.00 | 1.25 | 3.38 | 6.25 | 0.28 | - | 5.00 | - | <a href="#">#57-872</a> |

**1" - 4.25" Angled Optical Cell Mounts**



Units: inches

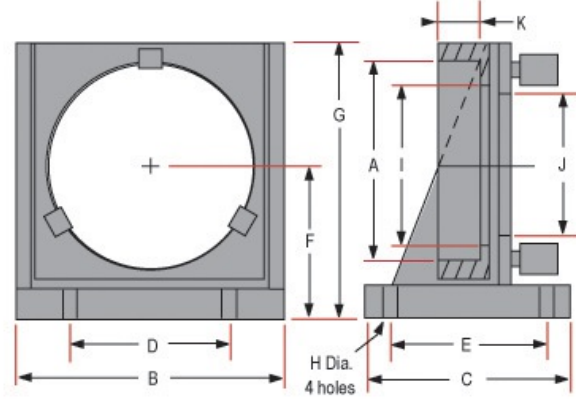
**4.25" Straight Optical Cell Mount**



Units: inches

| Optic Diameter | A            | B     | C    | D     | E    | F    | G     | H    | I     | J     | K    | Stock No.               |
|----------------|--------------|-------|------|-------|------|------|-------|------|-------|-------|------|-------------------------|
| 6"             | 6.187-32 TPI | 8.00  | 6.00 | 5.00  | 5.00 | 4.50 | 8.00  | 0.28 | 5.75  | 6.00  | 1.19 | <a href="#">#36-474</a> |
| 8"             | 8.06         | 12.00 | 7.00 | 10.00 | 6.00 | 6.25 | 11.50 | 0.28 | 7.62  | 9.00  | 1.60 | <a href="#">#36-476</a> |
| 10"            | 10.06        | 16.00 | 8.00 | 12.00 | 6.00 | 8.00 | 15.00 | 0.53 | 9.58  | 12.50 | 1.75 | <a href="#">#36-478</a> |
| 12.5"          | 12.56        | 16.00 | 8.00 | 12.00 | 6.00 | 8.00 | 15.00 | 0.53 | 12.08 | 12.50 | 2.13 | <a href="#">#36-480</a> |

**8" - 12.5" Angled Optical Cell Mounts**



Units: inches