

4X DIN Plan Commercial Grade Objective



Stock #67-706 **20+ In Stock**

⊖ 1 ⊕ C\$217⁰⁰

ADD TO CART

Volume Pricing

Qty 1+	C\$217.00 each
Need More?	Request Quote

Product Downloads

General

Plan **Type:**
Finite Conjugate **Style:**

Physical & Mechanical Properties

30.00 **Length excluding Threads (mm):**
24 **Maximum Diameter (mm):**

Optical Properties

28.91 **Effective Focal Length EFL (mm):**

4X **Magnification:**

0.10 **Numerical Aperture NA:**

15.25 **Working Distance (mm):**

45.25 **Parfocal Length (mm):**

N/A **Immersion Liquid:**

Threading & Mounting

0.7965-36 TPI, 55° Whitworth **Mounting Threads:**

Environmental & Durability Factors

5 to 40 **Operating Temperature (°C):**

-20 to 60 **Storage Temperature (°C):**

45% to 85% **Operating Relative Humidity:**

Regulatory Compliance

[Compliant](#) **RoHS 2015:**

[View](#) **Certificate of Conformance:**

Product Details

- Achromatic and Plan Designs
- Use with T- and C-Mounting Systems
- Ideal for OEM Applications

Commercial Grade Standard Microscope Objectives are designed for a wide variety of applications. These objectives are provided in both achromatic and plan designs. Using DIN standard, 0.7965" (20.1mm) dia. threads, 36 TPI, 55° Whitworth, these objectives will fit into most microscope and spatial filter assemblies. Commercial Grade Standard Microscope Objectives, used in conjunction with our [T- and C-mounting systems](#), are an ideal solution for OEM production use. These objectives are offered in 4X, 10X, 40X, and 100X magnifications.

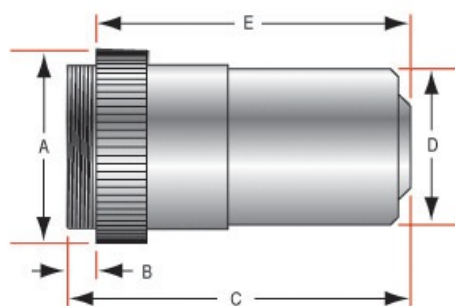
Note: 40X and 100X versions are spring loaded. 100X version is also oil immersion type.

Technical Information

Stock No.	A	B	C	D	E
#43-902	24	3.7	31	19	26
#43-903	24	3.7	43	19	40
#43-904	24	3.7	48.8	20	45.8
#43-905	24	3.7	48.8	20	45.8

#67-706	24	3.7	34	22	30
#43-907	24	3.7	47.6	22	44
#43-908	24	3.7	49	22	46
#43-909	24	3.7	48	22	46

Commercial Grade Standard Microscope Objectives



Units: mm

