

[See all 102 Products in Family](#)

TECHSPEC® 50.0mm Diameter x 150.0mm FL, 633nm V-Coat, PCX Lens



633nm Laser Line Coated Plano-Convex (PCX) Lenses



Stock **#69-460** [CONTACT US](#)

[Other Coating Options](#)

1 **C\$105⁷⁹**

ADD TO CART

Volume Pricing	
Qty 1-9	C\$105.70 each
Qty 10-25	C\$95.20 each
Qty 26-49	C\$84.70 each
Need More?	Request Quote

Product Downloads

General

Plano-Convex Lens **Type:**

Physical & Mechanical Properties

Diameter (mm):

50.00 +0.0/-0.025

Centering (arcmin):

<1

Center Thickness CT (mm):

9.00 ±0.10

Edge Thickness ET (mm):

4.86

Clear Aperture CA (mm):

49

Bevel:

Protective as needed

Optical Properties

Effective Focal Length EFL (mm):

150.00 @587.6nm

Back Focal Length BFL (mm):

144.07

Coating:

Laser V-Coat (633nm)

Coating Specification:

R_{abs} <0.25% @ 633nm

Substrate:

[N-BK7](#)

Surface Quality:

40-20

Power (P-V) @ 632.8nm:

1.5λ

Irregularity (P-V) @ 632.8nm:

λ/4

Focal Length Tolerance (%):

±1

Radius R₁ (mm):

77.52

f##:

3.00

Numerical Aperture NA:

0.17

Design Wavelength DWL (nm):

633

Damage Threshold, By Design:

5 J/cm² @ 633nm, 10ns

Regulatory Compliance

RoHS 2015:

[Compliant](#)

Certificate of Conformance:

[View](#)

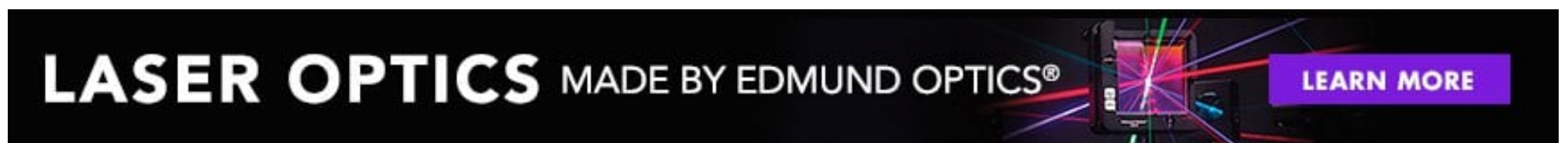
Reach 235:

[Compliant](#)

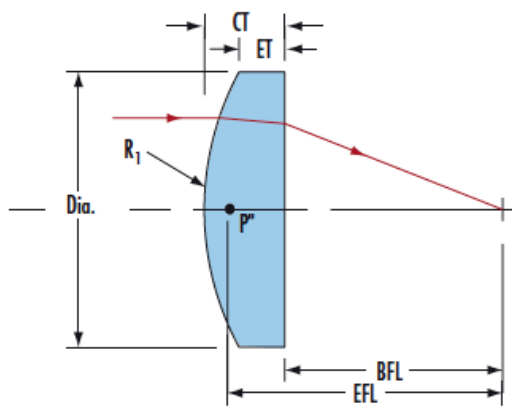
Product Details

- <0.25% Reflection at 633nm for HeNe Applications
- BBAR Coating Options Also Available: [uncoated](#), [MgF₂](#), [VIS 0°](#), [VIS-NIR](#), [NIR I](#), [NIR II](#)
- [405nm](#), [532nm](#), 633nm, [785nm](#), [980nm](#), [1064nm](#), and [1550nm](#) V-Coated Options Offered

TECHSPEC® 633nm Laser Line Coated Plano-Convex (PCX) Lenses are designed for maximum throughput at the specified laser wavelength. These lenses are ideal for collecting and focusing light from laser sources and their corresponding harmonics. With a maximum reflection of <0.25% per surface at the design wavelength, the lenses will provide superior transmission in applications utilizing multiple optical components. TECHSPEC® 633nm Laser Line Coated Plano-Convex (PCX) Lenses are available Laser V-Coated in a range of other wavelengths: [405nm](#), [532nm](#), [785nm](#), [980nm](#), [1064nm](#), and [1550nm](#). Other coating options are available, including [uncoated](#), [MgF₂](#), [VIS 0°](#), [VIS-NIR](#), [NIR I](#), and [NIR II](#).



Technical Information



Custom

Edmund Optics offers comprehensive custom manufacturing services for optical and imaging components tailored to your specific application requirements. Whether in the prototyping phase or preparing for full-scale production, we provide flexible solutions to meet your needs. Our experienced engineers are here to assist—from concept to completion.

Our capabilities include:

- Custom dimensions, materials, coatings, and more
- High-precision surface quality and flatness
- Tight tolerances and complex geometries
- Scalable production—from prototype to volume

Learn more about our [custom manufacturing capabilities](#) or submit an inquiry [here](#).

Compatible Mounts

;