

50.0/50.8mm Optic Dia., Kinematic Mirror Mount with Micrometer



Stock #56-326 **4 In Stock**

⊖ 1 ⊕ C\$541⁰⁰

ADD TO CART

Volume Pricing

Qty 1-4	C\$541.80 each
Qty 5+	C\$514.92 each
Need More?	Request Quote

Product Downloads

General

Adjustable - Tip-Tilt **Type:**

Circular **Type of Optics:**

Available in Quick Start Kit: [#17-520](#) **Note:**

Micrometer **Type of Adjustment Screws:**

Physical & Mechanical Properties

Clear Aperture CA (mm):
47.0

Fine Tilt Angle (°):
±2

Fine Tip Angle (°):
±2

Min. Thickness of Compatible Optics (mm):
3.0

Threading & Mounting

Size of Compatible Optics (mm):
50.0 - 50.8

Compatible Post:
M6 x 1.0

Regulatory Compliance

RoHS 2015:
[Exempt](#)

Certificate of Conformance:
[View](#)

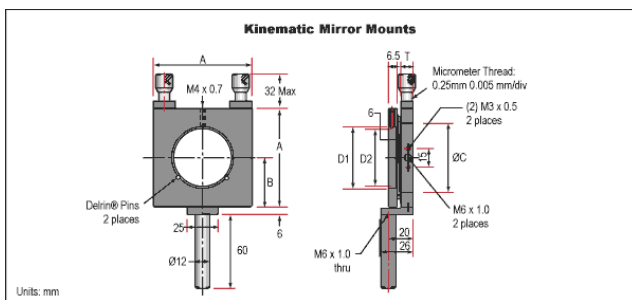
Reach 247:
[Contains SVHC\(s\)](#)

Product Details

- Micrometer or Lead Screw Driven Tip-Tilt Adjustment
- Color Coded Knobs for Tip and Tilt
- Set Screws and Delrin® Pads Hold Optical Component in Place
- [Posts](#) and [Post Holders](#) Required for Mounting

Top Adjustment Kinematic Mounts attach to posts or other optomechanics to securely hold optical components in place. Micrometers or adjustment screws are positioned at the top of the mounts to avoid interfering with system placement. The M6 mounting hole is positioned to where the first surface of the mounted mirror is as close to the post centerline as possible. Top Adjustment Kinematic Mounts are constructed of black anodized aluminum. [Posts](#) and [Post Holders](#) are required for mounting to a breadboard.

Technical Information



Optic Diameter D1 (mm)	Clear Aperture, D2 (mm)	A (mm)	B (mm)	C (mm)	Stock No.
25.00	22.00	60.00	30.00	36.00	#56-327 #56-238*
25.40	22.00	60.00	30.00	36.00	#55-003 #55-456*
50.80	47.00	80.00	40.00	56.00	#55-005 #56-326*
50.00	47.00	80.00	40.00	56.00	#55-457*

* with micrometer

