

**TECHSPEC® 50mm Diameter, T-Mount Thin Optic Mount**



50mm Diameter, T-Mount Thin Lens Mount, #88-943



Stock #88-943 **20+ In Stock**

- 1 + C\$144.<sup>20</sup>

**ADD TO CART**

Volume Pricing

Qty 1-4	C\$144.20 each
Qty 5-9	C\$125.44 each
Qty 10-25	C\$115.36 each
Need More?	<a href="#">Request Quote</a>

Product Downloads

**General**

Fixed **Type:**

Optic Mount (Fixed) **Function:**

Circular **Type of Optics:**

## Physical & Mechanical Properties

22.0 Extension Length (mm):

25.45 Total Length (mm):

2.0 Min. Thickness of Compatible Optics (mm):

10.0 Max. Thickness of Compatible Optics (mm):

38.0 Clear Aperture CA (mm):

Black Anodized Aluminum (6061 T6) Construction:

53.0 Outer Diameter (mm):

## Threading & Mounting

T-Mount Thread Type:

50.0 Diameter of Compatible Optics (mm):

## Regulatory Compliance

Compliant RoHS 2015:

View Certificate of Conformance:

Compliant REACH 241:

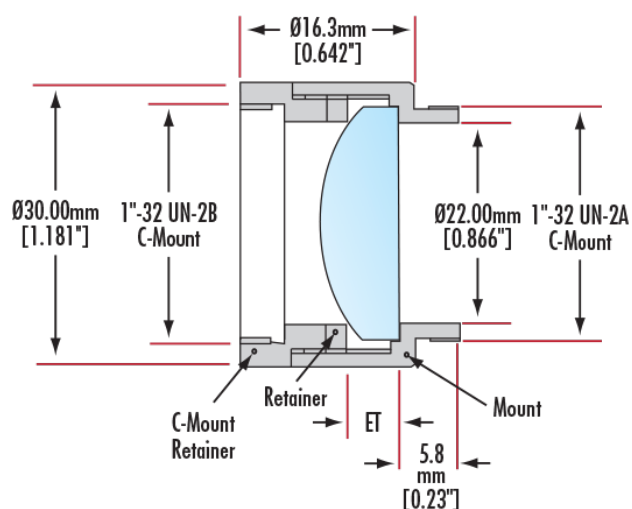
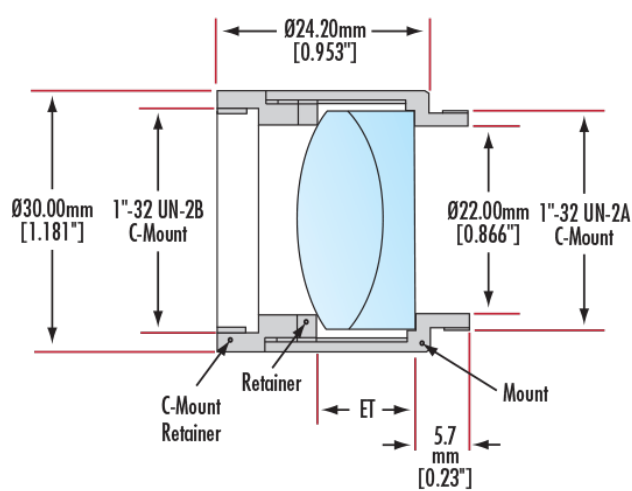
## Product Details

- Mounts for Simple Lenses, Achromats, Filters, or Reticles
- Designed to Integrate with Any C, S, or T-Mount Components
- Optic is Held in Place with Included Retaining Ring

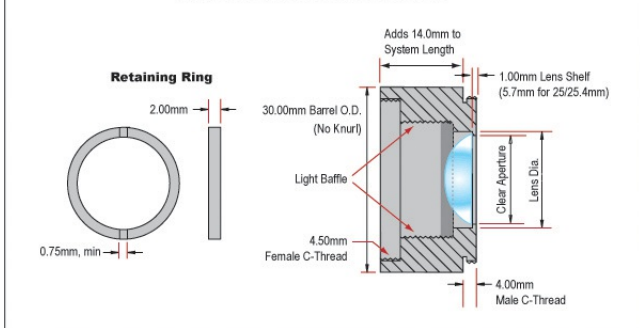
TECHSPEC® C, S, and T-Mount Circular Optic Mounts are designed to mount a variety of circular optical components into C, S, or T-Mount compatible systems. An included threaded retainer ring, designed to accept a standard spanner wrench, securely holds the optical component. These circular optic mounts are compatible with a wide variety of Edmund Optics optomechanical components utilizing C, S, or T-Mount threads, such as [extension tubes](#) and [kinematic mounts](#). TECHSPEC® C, S, and T-Mount Circular Optic Mounts are threaded for 1" x 32 TPI, M12 x 0.5, or M42 x 0.75 mounting, with 30mm, 16mm, and 48mm outer diameters, respectively. These mounts are ideal for creating and personalization of a diverse range of optical systems.

**Note:** #56-353, #56-354, #52-933, and #52-292 are all 3-part assemblies

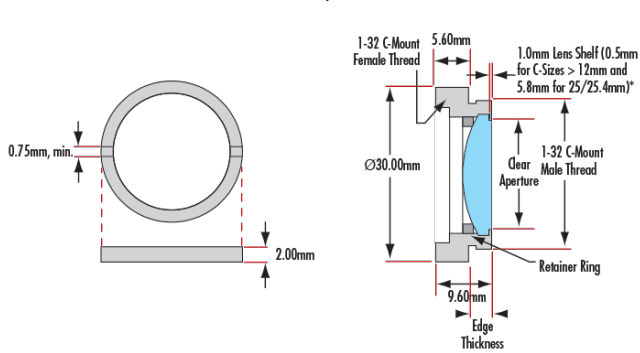
## Technical Information



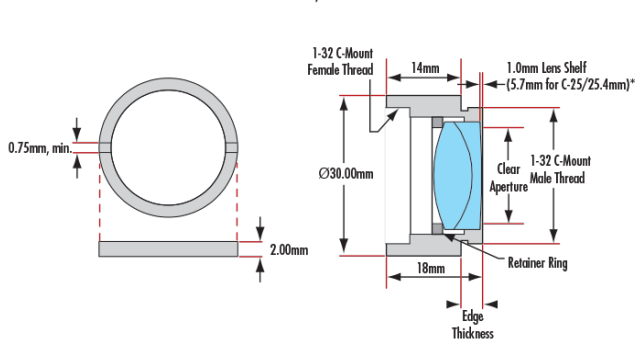
**C-Mount Achromat/Thick Lens Mounts**



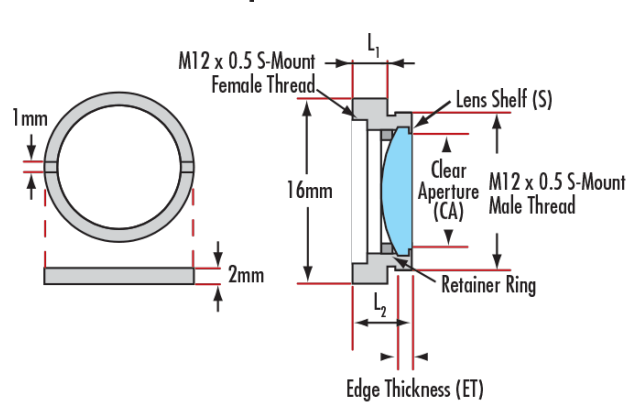
**C-Thread Simple / Thin Lens Mount**



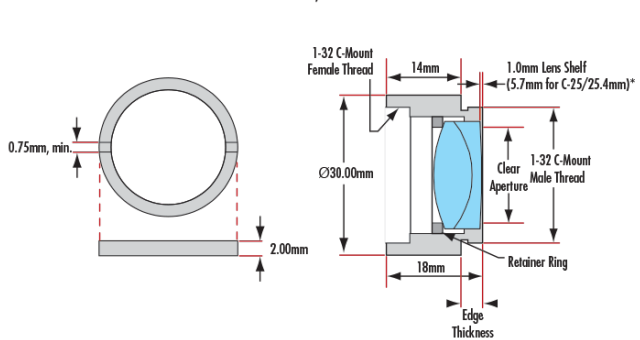
**C-Thread Achromat / Thick Lens Mount**



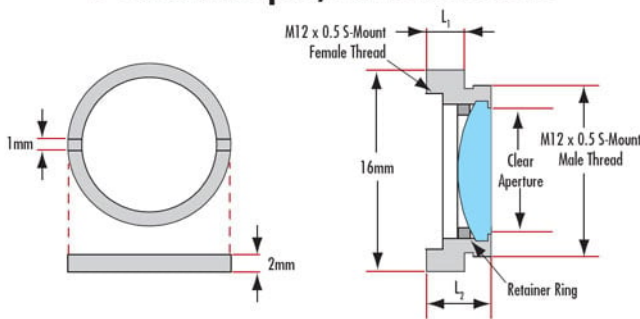
**S-Thread Simple / Thin Lens Mount**



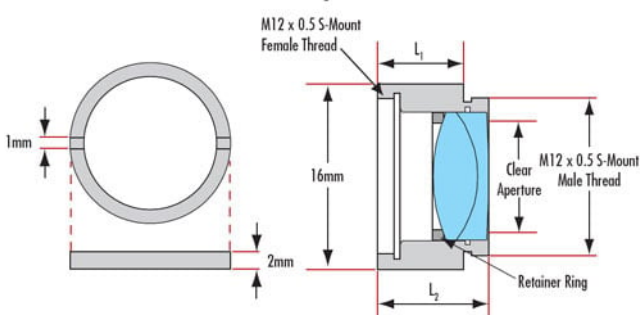
**C-Thread Achromat / Thick Lens Mount**

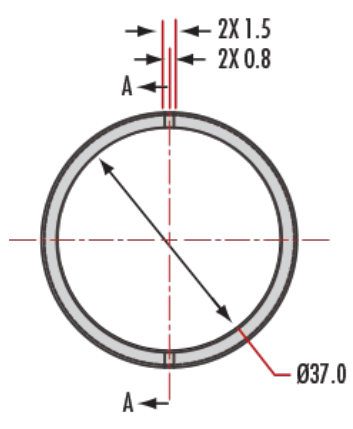


**S-Thread Simple /Thin Lens Mount**



**S-Thread Achromat / Thick Lens Mount**





#58-741

