

50X EO M Plan Apo ULWD Infinity Corrected



50XEOMPlan Apo Long Working Distance Infinity Corrected, #59-879

Stock **#59-881** **3 In Stock**

⊖ 1 ⊕ C\$4,949⁰⁰

ADD TO CART

| Volume Pricing | |
|----------------|-------------------------------|
| Qty 1+ | C\$4,949.00 each |
| Need More? | Request Quote |

Product Downloads

General

Compatible Tube Lens Focal Length (mm):
Focal Length: 200mm

Microscope Objective **Type:**

Infinity Corrected **Style:**

Physical & Mechanical Properties

Field of View (mm):
0.48

| | |
|--------|---------------------------------------|
| 74.50 | Length (mm): |
| 74.50 | Length excluding Threads (mm): |
| 34 | Maximum Diameter (mm): |
| 300.00 | Weight (g): |

Optical Properties

| | |
|-----------|--|
| 0.128mm | Horizontal Field of View, 1/2" Sensor: |
| 0.176mm | Horizontal Field of View, 2/3" Sensor: |
| 0.256mm | Horizontal Field of View, 1" Sensor: |
| 4.00 | Focal Length FL (mm): |
| 50X | Magnification: |
| 0.42 | Numerical Aperture NA: |
| 0.7 | Resolving Power (µm): |
| 1.60 | Depth of Field (µm): |
| 0.48 | Field of View, 24 Diameter Field Eyepiece (mm): |
| 20.5 | Working Distance (mm): |
| 390 - 780 | Wavelength Range (nm): |
| 24 | Field Number (mm): |
| 95 | Parfocal Length (mm): |
| N/A | Immersion Liquid: |

Threading & Mounting

| | |
|--------------|--------------------------|
| M26 x 36 TPI | Mounting Threads: |
|--------------|--------------------------|

Environmental & Durability Factors

| | |
|---------------------------|------------------------------------|
| +10 to +40 | Operating Temperature (°C): |
| <85% with no condensation | Operating Humidity: |

Regulatory Compliance

| | |
|----------------------|------------------------------------|
| View | Certificate of Conformance: |
|----------------------|------------------------------------|

Product Details

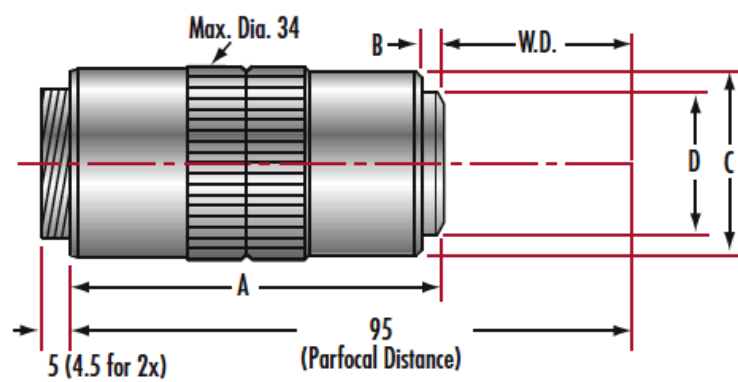
- High Quality Optics in a Plan Achromat Design
- Long Working Distance Options
- Sub-Micron Resolving Power

EO Infinity Corrected Long Working Distance Objectives are made to the highest quality and standards, utilizing a strain-free optical system. They maintain a long working distance and offer high numerical apertures. With resolving power from 5 to 0.34 microns, these objectives work for a wide array of applications. All stated magnifications are based on a tube lens focal length of 200mm. EO Infinity Corrected Long Working Distance Objectives' mounting thread is M26 x36 TPI. The objectives work with all Mitutoyo parts and can be placed directly in a system currently utilizing Mitutoyo objectives.

Technical Information

| | Stock # | A | B | C | D | E |
|--------------|-------------------------|------|-----|----|------|----|
| 2XMPlan APO | #59-875 | 61 | — | 32 | 27.5 | 34 |
| 5XMPlan APO | #59-876 | 61 | — | 32 | 25 | 34 |
| 10XMPlan APO | #59-877 | 61.5 | 2.2 | 32 | 25.5 | 34 |

| | | | | | | |
|--------------------|---------|------|-----|----|------|----|
| 20XMPlan APO | #59-878 | 75 | 3.2 | 32 | 26.7 | 34 |
| 50XMPlan APO | #59-879 | 82 | — | 32 | 25.5 | 34 |
| 100XMPlan APO | #59-880 | 92 | — | 32 | 26 | 34 |
| 50XMPlan APO ULWD | #59-881 | 74.5 | — | 32 | 25.5 | 34 |
| 100XMPlan APO ULWD | #59-882 | 82 | — | 32 | 26 | 34 |



Units: mm