

[See all 13 Products in Family](#)

## 50X Oil Immersion Objective, CFI Plan Achromatic

See More by [Nikon](#)



Stock #75-357 **NEW** 1 In Stock

⊖ 1 ⊕ C\$1,708<sup>00</sup>

**ADD TO CART**

| Volume Pricing |                               |
|----------------|-------------------------------|
| Qty 1+         | C\$1,708.00 each              |
| Need More?     | <a href="#">Request Quote</a> |

### Product Downloads

### General

**Model Number:**  
MRL01502

**Compatible Tube Lens Focal Length (mm):**  
Focal Length: 200mm

**Type:**  
Microscope Objective

**Style:**  
Infinity Corrected

**Manufacturer:**  
Nikon

## Physical & Mechanical Properties

0.44 **Field of View (mm):**

59.67 **Length excluding Threads (mm):**

27.5 **Maximum Diameter (mm):**

165 **Weight (g):**

## Optical Properties

0-0.17 **Compatible Cover Glass Thickness (mm):**

0.128 **Horizontal Field of View, 1/2" Sensor:**

0.176 **Horizontal Field of View, 2/3" Sensor:**

50X **Magnification:**

0.90 **Numerical Aperture NA:**

0.35 **Working Distance (mm):**

22 **Field Number (mm):**

60.02 **Parfocal Length (mm):**

Oil **Immersion Liquid:**

## Sensor

2/3" **Maximum Sensor Format:**

## Threading & Mounting

M25 x 0.75 **Mounting Threads:**

## Regulatory Compliance

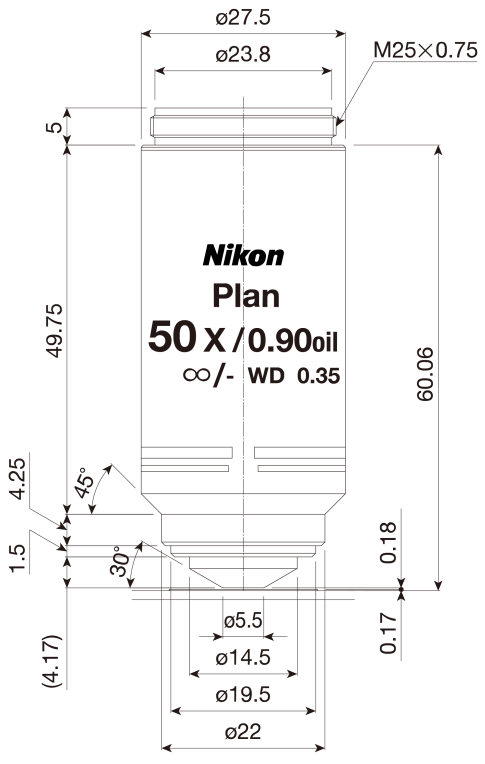
[View](#) **Certificate of Conformance:**

## Product Details

- Exceptional Flat-Field Imaging
- High Numerical Apertures and Oil Immersion Options Available
- Wide Magnification Range (1X to 100X)

Nikon's CFI Plan Achromat Objectives deliver exceptional flat-field imaging ensuring sharp, distortion-free clarity across the entire field of view, making these objectives ideal for both visual inspection and high-precision digital imaging. With high numerical apertures and specialized oil immersion options available, these objectives offer enhanced resolution and light-gathering capability for demanding high-magnification applications. Nikon CFI Plan Achromat Objectives are available in 1X up to 100X magnification, providing solutions for low-magnification overviews or detailed high-resolution imaging. Color corrected for the entire visible spectrum; these objectives are suitable for brightfield and fluorescence observation in routine lab work and photomicrography.

## Technical Information



;