

TECHSPEC® 5mm FL f/4, Blue Series IR-Cut M12 Lens



Stock #24-443 **10 In Stock**

⊖ 1 ⊕ C\$161⁰⁰

ADD TO CART

Volume Pricing	
Qty 1-49	C\$161.00 each
Qty 50+	C\$127.40 each
Need More?	Request Quote

Product Downloads

SPECIFICATIONS

General

Series:

Blue Series

M12 Imaging Lens	Type:
Yes	IR Cut Filter:
IR-Cut Filter	Special Type of Lens:

Physical & Mechanical Properties

Fixed	Iris Option:
14.60	Length (mm):
14	Maximum Diameter (mm):
14	Outer Diameter (mm):
4	Weight (g):

Optical Properties

57.3°	Horizontal Field of View @ Max Sensor Format:
Horizontal: 165.7mm - 57.3° Vertical: 117.5mm - 42.3° Diagonal: 225.4mm - 73.4°	Field of View at Max Sensor Format:
165.6mm - 57.3°	Horizontal Field of View, 1/3" Sensor:
117.5mm - 42.3°	Horizontal Field of View, 1/4" Sensor:
6.00	Maximum Image Circle (mm):
0.0040	Numerical Aperture NA, Object Side:
6(5)	Number of Elements (Groups):
400 - 700	Wavelength Range (nm):
5.00	Focal Length FL (mm):
150 - ∞	Working Distance (mm):
f/4	Aperture (f/#):
-18.88 @ Full Field	Distortion (%):
4.0 - 3.9	Back Focal Length BFL (mm):
N4 MgF ₂ @ 550nm	Coating Specification:
2.74	Entrance Pupil Position (mm):
5.94	Object Space Principal Plane (mm):
2.53	Image Space Principal Plane (mm):
-18.88	Maximum Distortion (%):
-6.51	Exit Pupil Position (mm):
VS (IR-Cut Filter)	Lens Wavelength Range:

Sensor

1/3"	Maximum Sensor Format:
1.40	Pixel Size (μm):

Threading & Mounting

N/A	Filter Thread:
S-Mbunt (M12 x 0.5)	Mount:

Regulatory Compliance

Compliant **RoHS 2015:**

View **Certificate of Conformance:**

Compliant **Reach 247:**

PRODUCT DETAILS

- Up to 1/2", S-Mount Lens
- Up to 5 MegaPixels, 1.4µm Pixel Size Sensors
- High Resolution Board Camera Lens Optimized for Close WD
- 2mm to 35mm Focal Length
- [Ruggedized Designs](#) Also Available

TECHSPEC® Blue Series M12 Lenses feature high resolution performance, along with the same great versatility of our [TECHSPEC® Green Series M12 Lenses](#). Each lens consists of several precision glass elements mounted in a compact, aluminum housing. These lenses can connect to C-Mount cameras using the M12 x0.5 Adapter for C-Mount Cameras ([#53-675](#)) or the M12 x0.5 C-Mount Adapter with Rubber O-Ring ([#59-241](#)) for vibration-sensitive environments. TECHSPEC® Blue Series M12 Lenses are ideal for automotive, industrial, and medical imaging application. Prescription data is available by submitting a [Request for Prescription Form](#).

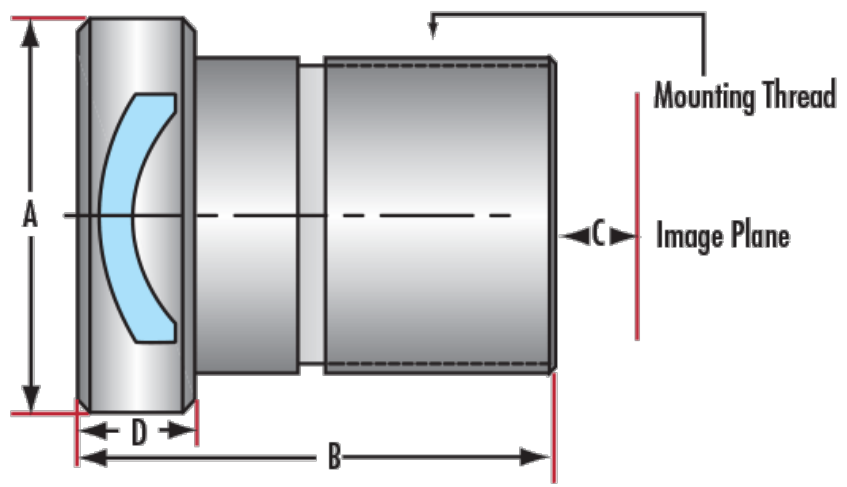
Note: Compatible [TECHSPEC® M12 Imaging Lens Accessories](#) available.

Edmund Optics has created multiple product families of our TECHSPEC® M12 S-Mount Lenses, which are designed to provide high resolution. These high performance lenses feature precision glass designs in a metal housing and have optimized specifications between each product family to meet your application needs.

- Blue Series M12 Lenses: High resolution finite conjugate designs optimized for machine vision working distances.
- [Rugged Blue Series M12 Lenses: Stabilized ruggedization](#) versions of our Blue Series M12 Lenses, utilizing the same optics.
- [Green Series M12 Lenses:](#) Finite conjugate designs optimized for machine vision working distances.
- [Red Series M12 Lenses:](#) Infinite conjugate designs optimized for high resolution performance out to infinity.
- [HEO Series M12 Lenses:](#) Harsh Environment Optics (HEO) sealed versions of our Red Series M12 Lenses.
- [Liquid Lens M12 Lenses:](#) Integrated liquid lens for fast electronic focus.

TECHNICAL INFORMATION

Focal Length	A	B	C*	D
2.0mm	18.0mm	21.7mm	2.26mm	4.75mm
3.0mm	14.0mm	17.1mm	4.8 - 4.7mm	5.8mm
4.0mm	14.0mm	19.7mm	6.1 - 6.0mm	4.4mm
5.0mm	14.0mm	14.6mm	4.0 - 3.9mm	3.7mm
6.0mm	14.0mm	14.1mm	6.9 - 6.8mm	4.5mm
8.0mm	14.0mm	12.3mm	8.8 - 8.6mm	3.7mm
10.0mm	14.0mm	17.0mm	6.6 - 6.3mm	3.7mm
12.5mm	15.0mm	22.9mm	10.1 - 9.7mm	4.8mm
17.5mm	14.0mm	20.7mm	5.8 - 4.9mm	7.6mm
25.0mm	18.0mm	30.0mm	8.5 - 6.5mm	11.5mm
35.0mm	18.0mm	29.5mm	18.72 - 14.0mm	14.5mm



*Specified for Optimized Working Distance of 150 - 250mm.