

TECHSPEC® 5X Arcturus® HeNe Beam Expander



5X HeNe Fixed Beam Expander, #55-577

Stock **#55-577** **20+ In Stock**

⊖ 1 ⊕ C\$756⁰⁰

ADD TO CART

Volume Pricing	
Qty 1-4	C\$756.00 each
Qty 5-24	C\$660.80 each
Qty 25-99	C\$590.80 each
Need More?	Request Quote

Product Downloads

General

Beam Expander **Type:**
Fixed Magnification **Style:**

Physical & Mechanical Properties

107.50 **Length (mm):**

409	Weight (g):
50	Housing Diameter (mm):
Optical Properties	
2	Entrance Aperture (mm):
27	Exit Aperture (mm):
5X	Expansion Power:
1.2m - ∞	Focus Range (mm):
Optical Glass	Substrate: <input type="checkbox"/>
0	Angle of Incidence (°):
BBAR (450-750nm)	Coating:
633	Design Wavelength DWL (nm):
$\lambda/4$ @ 633nm for Input Beam ≤ 1 mm	Transmitted Wavefront, P-V:
450 - 750	Wavelength Range (nm):
R _{abs} <math><0.4\%</math> @ 630 - 670nm R _{avg} <math><0.6\%</math> @ 450 - 750nm	Coating Specification:
Non-Rotating Optics	Divergence Adjustment:
Threading & Mounting	
C-Mount	Mounting Threads:
Regulatory Compliance	
Compliant	RoHS 2015:
View	Certificate of Conformance:

Product Details

- AR Coated for HeNe Laser Wavelength of 633nm
- Fixed Magnifications Available from 3X to 20X
- Divergence Adjustable with Non-Rotating Optics

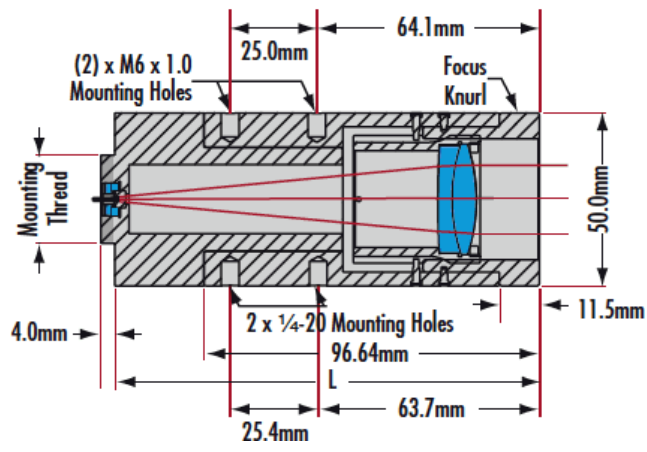
TECHSPEC® Arcturus® HeNe Beam Expanders offer high performance optical designs packaged in a precise opto-mechanical platform. Two full rotations of the adjustment knurl provide smooth movement for the optics in order to vary the output from collimated to the minimum focus distance of 1.2 meters. The precise adjustment mechanism keeps optics from rotating, which helps maintain bore sight accuracy and a minimally aberrated beam. Adjustment lock secures position. TECHSPEC® Arcturus® HeNe Beam Expanders are easily secured to both metric and English threaded mounts. Four tapped holes (two M6 on 25mm centers and two 1/4-20 on 1" centers) are located near the middle of the assembly for mounting.

For more cost sensitive applications, Edmund Optics also offers [TECHSPEC Scorpii® Nd:YAG Beam Expanders](#). For applications where rotating optics are acceptable, the [TECHSPEC Vega® Laser Line Beam Expanders](#) and [TECHSPEC Vega® Broadband Beam Expanders](#) are available. For higher precision applications where sliding optics are necessary, please see our [TECHSPEC Draconis® Nd:YAG Laser Line Beam Expanders](#) or [TECHSPEC Draconis® Broadband Beam Expanders](#). For broadband or ultrafast applications, [TECHSPEC Canopus® Reflective Beam Expanders](#) are available.



Technical Information

Complete Beam Expander



Beam Expander Mounting Configurations.

Click on an item below to be brought to that item's product page.

