

152.4mm/6.0" Optic Dia., Optical Cell Kinematic Mount



Stock **#36-474** **8 In Stock**

C\$2,583⁰⁰

ADD TO CART

Volume Pricing

| | |
|------------|-------------------------------|
| Qty 1-4 | C\$2,583.00 each |
| Qty 5+ | C\$2,454.48 each |
| Need More? | Request Quote |

Product Downloads

General

Adjustable - Tip-Tilt **Type:**

Circular **Type of Optics:**

5° **Range:**

Inner Diameter (inches):

6.187 x32 TPI

Retaining Ring **Optic Holding Style:**

Physical & Mechanical Properties

Clear Aperture CA (inches):
5.75

Clear Aperture CA (mm):
146.1

Optical Centerline (mm):
114.3

Dimensions (inches):
8.00 x 6.00 x 8.00

Dimensions (mm):
203.2 x 152.4 x 203.2

Weight (lbs):
7.5

Construction:
Black Anodized Aluminum, Stainless Steel

Diameter of Compatible Optics (inches):
6.00

Optical Centerline (inches):
4.50

Max. Thickness of Compatible Optics (mm):
27.0

Adjustment Screw Pitch (inches):
0.015

Threading & Mounting

Size of Compatible Optics (mm):
152.4

Regulatory Compliance

RoHS 2015:
[Compliant](#)

Certificate of Conformance:
[View](#)

Reach 242:
[Compliant](#)

Product Details

- Robust Kinematic Mounts for Larger Diameter Optics
- Ball Pivot and Fine Pitch Screws Provide Pitch and Roll
- 50% Greater Resolution than Micrometer Adjustments

Optical Cell Kinematic Mounts provide highly stable kinematic movement with two axis tilt (pitch and roll) provided by a precise ball pivot adjustment and an orthogonal three-point suspension. Adjustment is made by three 64-pitch screws (two 64-pitch screws for 1-2" diameter model). For the 6" diameter model, adjustment is made by two 64-pitch screws for and with three 32-pitch screws for 8" up to 12.5" diameter models. Optical Cell Kinematic Mounts feature fine pitch screws, which permit 50% greater resolution than a micrometer. An angled base on the mount allows for stand-alone installation and mounting. These mounts have integral optic cell design allowing optics to be held undistorted.

Note: For mounting 12" diameter optics in our 12.5" Diameter Optical Mount, use the 12.5" to 12" Adapter Kit (#12-226). The Adapter Kit and 12.5" Diameter Optical Mount are offered together as #12-227.

Technical Information

| Optic Diameter | A | B | C | D | E | F | G | H | I | J | K | Stock No. |
|----------------|--------------|------|------|------|------|------|------|------|---|------|---|-------------------------|
| 1-2" | 2.25-20 TPI | 3.75 | 2.00 | 2.00 | 0.38 | 2.00 | 3.50 | 0.28 | - | 2.12 | - | #53-964 |
| 3" | 3.25-20 TPI | 5.75 | 3.00 | 4.00 | 1.25 | 3.38 | 6.25 | 0.28 | - | 5.00 | - | #53-965 |
| 4.25" | 4.625-20 TPI | 5.75 | 3.00 | 4.00 | 1.25 | 3.38 | 6.25 | 0.28 | - | 5.00 | - | #57-872 |

1" - 4.25" Angled Optical Cell Mounts



Units: inches

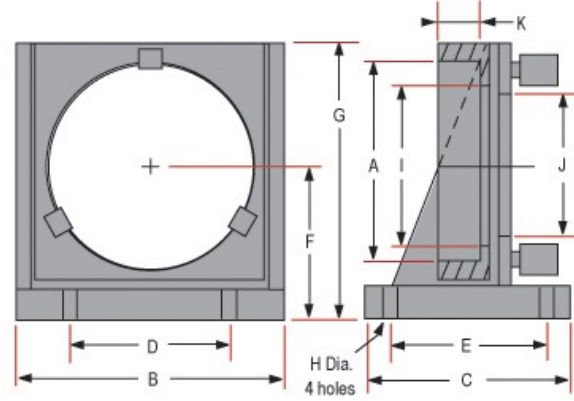
4.25" Straight Optical Cell Mount



Units: inches

| Optic Diameter | A | B | C | D | E | F | G | H | I | J | K | Stock No. |
|----------------|--------------|-------|------|-------|------|------|-------|------|-------|-------|------|-------------------------|
| 6" | 6.187-32 TPI | 8.00 | 6.00 | 5.00 | 5.00 | 4.50 | 8.00 | 0.28 | 5.75 | 6.00 | 1.19 | #36-474 |
| 8" | 8.06 | 12.00 | 7.00 | 10.00 | 6.00 | 6.25 | 11.50 | 0.28 | 7.62 | 9.00 | 1.60 | #36-476 |
| 10" | 10.06 | 16.00 | 8.00 | 12.00 | 6.00 | 8.00 | 15.00 | 0.53 | 9.58 | 12.50 | 1.75 | #36-478 |
| 12.5" | 12.56 | 16.00 | 8.00 | 12.00 | 6.00 | 8.00 | 15.00 | 0.53 | 12.08 | 12.50 | 2.13 | #36-480 |

8" - 12.5" Angled Optical Cell Mounts



Units: inches