

[See all 49 Products in Family](#)

TECHSPEC® 8mm, f/8 UCi Series Fixed Focal Length Lens



8mm, f/1.8 UCi Series Fixed Focal Length Lens



Stock #28-638 **NEW** [CONTACT US](#)

⊖ 1 ⊕ **€378⁰⁰**

ADD TO CART

Volume Pricing

| | |
|------------|-------------------------------|
| Qty 1+ | €378.00 each |
| Need More? | Request Quote |

Product Downloads

General

| | |
|-------------------------|---------------------------|
| UCi Series | Product Family: |
| Fixed Focal Length Lens | Type: |
| Fixed Focal Length Lens | Imaging Lens Type: |

Physical & Mechanical Properties

| | |
|-------|-------------------------------|
| Fixed | Iris Option: |
| 49.75 | Length (mm): |
| 34 | Maximum Diameter (mm): |
| 34 | Outer Diameter (mm): |
| 25 | Weight (g): |
| 4.25 | Maximum Rear Protrusion (mm): |
| 44.50 | Maximum Length (mm): |

Optical Properties

| | |
|---------|---|
| 44.7° | Horizontal Field of View @ Max Sensor Format: |
| 44.7° | Horizontal Field of View, 1/2" Sensor: |
| 40.7° | Horizontal Field of View, 1/2.5" Sensor: |
| 33.9° | Horizontal Field of View, 1/3" Sensor: |
| 25.6° | Horizontal Field of View, 1/4" Sensor: |
| 8.00 | Maximum Image Circle (mm): |
| 0.0069 | Numerical Aperture NA, Object Side: |
| 9 (8) | Number of Elements (Groups): |
| 8.00 | Focal Length FL (mm): |
| 50 - ∞ | Working Distance (mm): |
| f/8 | Aperture (f/#): |
| M4 MgF2 | Coating: |
| M4 MgF2 | Coating Specification: |
| 22.07 | Entrance Pupil Position (mm): |
| 27.98 | Object Space Principal Plane (mm): |
| 1.77 | Image Space Principal Plane (mm): |
| 6.87 | Maximum Distortion (%): |
| -20.88 | Exit Pupil Position (mm): |
| VIS | Lens Wavelength Range: |
| VIS | Wavelength: |

Sensor

| | |
|--------|--------------------------|
| 1/2.5" | Optimized Sensor Format: |
| 1/2" | Maximum Sensor Format: |
| 1.85 | Pixel Size (µm): |

Threading & Mounting

| | |
|-----------|------------------------|
| M34 X0.05 | Filter Thread: |
| N/a | Filter Thread Adapter: |
| C-Mount | Mount: |

Environmental & Durability Factors

Storage Temperature (°C):

-20 to +60 For questions regarding operating temperature please contact our support team

Type of Ruggedization:

Industrial (Fixed Aperture with Simplified Mechanics)

Regulatory Compliance

Certificate of Conformance:

[View](#)

Product Details

- Up to 1/1.8", C-Mount, S-Mount Lens
- Up to 12 MegaPixels, 1.85µm Pixel Size Sensors
- Instrumentation (UCi) versions of our UC Series Lenses with Streamlined Mechanical Designs and Fixed Apertures
- 4mm to 35mm Focal Length

TECHSPEC® UCi Series Fixed Focal Length Lenses utilize the same optics as the TECHSPEC UC Series Lenses and feature 4K resolution. These lenses are designed for small pixels $\leq 2.2\mu\text{m}$ and offer a wide range of fixed apertures for a variety of applications. While optimized for 1/2.5" sensors, many focal length options can be used on sensors up to 1/1.8". TECHSPEC® UCi Series Fixed Focal Length Lenses are ideal for OEM applications that require small, robust, and lightweight imaging solutions.

Note: For adjustable aperture options, see our [TECHSPEC® UC Series Fixed Focal Length Lenses](#).

Edmund Optics has created a family of high-performance ultra-compact optical designs (the UC Series family) and developed 3 customized optomechanical solutions targeted for specific applications. These lens sub-families utilize the same optics as the UC Series lenses providing the same optical performance in a variety of optomechanical solutions to meet your application requirements:

UC Series: Features locking cam focus and iris adjustment in an ultra-compact design and is the most adjustable version of these optical designs; they are the typical high-quality machine vision lenses.

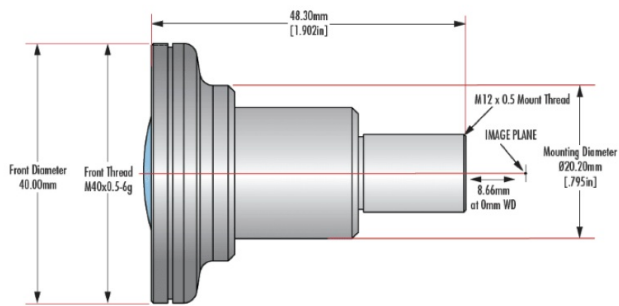
UCi Series: Simplified mechanics featuring fixed apertures with compact housing. [Industrial Ruggedization](#) for reduced size, cost, and locked focus.

UCr Series: All optics glued in place and a locking C-clamp focus ring. [Stabilized Ruggedization](#) for reduced pixel shift and improved focus stability.

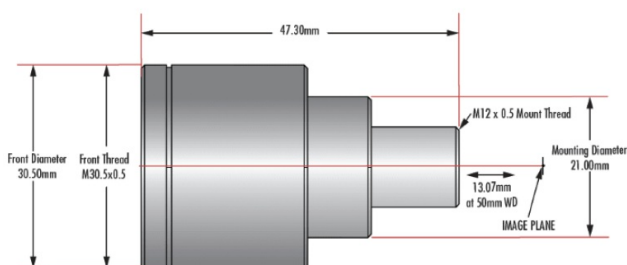
UCw Series: Waterproof, designed to meet IEC [Ingress Protection](#) Code IPX7 to withstand exposure to water up to 1 meter depth for 30 minutes.

Technical Information

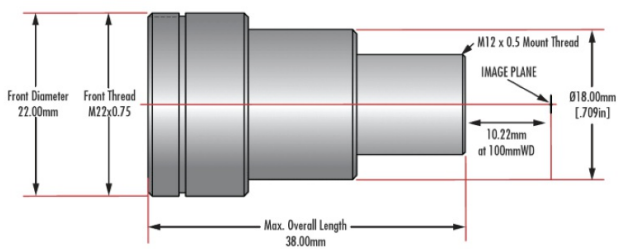
4mm Focal Length



6mm Focal Length



12mm Focal Length



16mm Focal Length



25mm Focal Length



35mm Focal Length

