

[See all 12 Products in Family](#)

## Adjustable Stand & Cover for Nikon Autocollimator

See More by [Nikon](#)



#59-396: Adjustable Stand & Cover for Nikon Autocollimator

Stock **#59-396** **1 In Stock**

1  **C\$8,953<sup>00</sup>**

**ADD TO CART**

### Volume Pricing

Qty 1+	C\$8,953.00 each
Need More?	<a href="#">Request Quote</a>

### Product Downloads

### Regulatory Compliance

[View](#) Certificate of Conformance:

[Contains SVHC\(s\)](#) REACH 241:

### Product Details

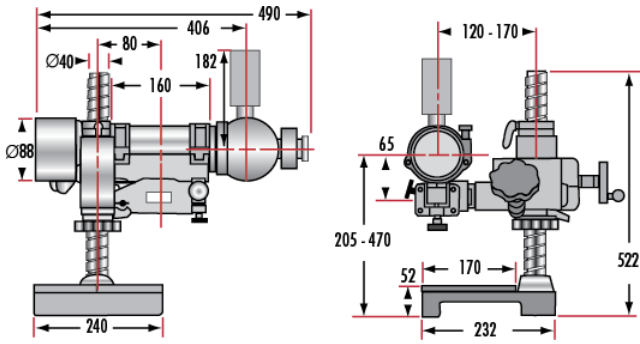
- Complete Video Packages Available
- Darkfield View
- 0.5 Arcsec Resolution
- Fully Adjustable Mount

Autocollimators are a powerful laboratory tool for any optical or precision imaging systems. The autocollimator can be used in a variety of configurations to ensure that there is no angular error in a system. For example, sensors can be aligned with optics, targets, optical mounts or other components in a system. The autocollimator can also be used for measuring the angular accuracy of moving parts such as stages. They are often used to measure the angles within a single optic such as prisms.

This darkfield autocollimator makes it possible to see reflections from very low-reflective plane surfaces, such as camera sensors, at a far distance. This high precision autocollimator has a 70mm aperture, which provides bright and clear reflected images. It also includes a double line reticle for easy and accurate detection. For comfortable viewing, the viewer can also be rotated.

An optically flat reference mirror is available for aligning non-reflective surfaces. A C-Mount camera adapter can replace the eyepiece and allow the view field image to be displayed on a monitor or saved to a computer. The digital package is available to provide a complete "out-of-the-box" video system with USB output. This package includes the LED autocollimator, stand and cover, camera, C-Mount camera adapter, and a USB output cable.

## Technical Information



### #87-306: Digital System

Autocollimator Main Body	<a href="#">#87-227</a>
Adjustable Stand and Cover	<a href="#">#59-396</a>
C-mount Camera Adapter	<a href="#">#59-398</a>
USB Monochrome Camera	<a href="#">#16-507</a>
3m USB Cable	<a href="#">#37-342</a>

### #19-723: Digital System

Autocollimator Main Body	<a href="#">#87-227</a>
Adjustable Stand and Cover	<a href="#">#59-396</a>
C-mount Camera Adapter	<a href="#">#59-398</a>
GigE Monochrome Camera	<a href="#">#16-465</a>
5m USB Cable	<a href="#">#63-863</a>