

C-Mount Light Guide Mounting Adapter



Light Guide Mounting Adapter



Stock #53-047 **8 In Stock**

- 1 + C\$56³⁵

ADD TO CART

Volume Pricing	
Qty 1-4	C\$56.35 each
Qty 5+	C\$50.26 each
Need More?	Request Quote

Product Downloads

General

Fiber Light Guide

Type of Optics:

Tube Mount

Type:

Accessory

Type of Illumination:

Accessory (Optional) **Note:**

Optic Mount (Fixed) **Function:**

Physical & Mechanical Properties

25.4 **Inner Diameter (mm):**

19.25 **Total Length (mm):**

29.85 **Outer Diameter (mm):**

15.0 **Extension Length (mm):**

Threading & Mounting

C-Mount **Thread Type:**

Regulatory Compliance

Compliant **RoHS 2015:**

View **Certificate of Conformance:**

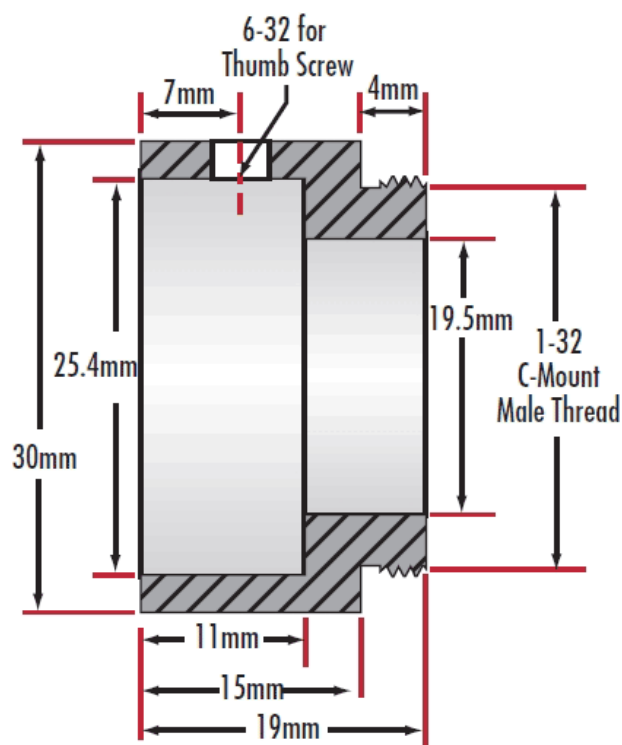
Compliant **Reach 251:**

Product Details

- Adapt Light Guides to Optical Components
- C-Mount and T-Mount Versions Available
- Articulating Arm Package Available

These optional Light Guide Mounting Adapters make mounting and integration easy. The versatile mounting adapter is used in some of our [machine vision lens assemblies](#). It connects on one side to fiber optic light guides, using the matching [fiber optic adapter](#), and is secured via a thumb screw. The opposite side features a C-Mount or T-Mount male thread for easy integration with our C-Mount and T-Mount components. Our Articulating Arm Package also provides convenient, adjustable mounting. It includes one 3" long shaft, two knuckle ball-joints with 1/4-20 threaded studs, and a ring clamp.

Technical Information



C-Mount Dimensions