

[See all 12 Products in Family](#)

## USB Digital Package, Nikon Autocollimator

See More by [Nikon](#)



Nikon High Precision Autocollimator (shown with stand #59-396, sold separately)

Stock **#87-306** [CONTACT US](#)

⊖ 1 ⊕ C\$35,553<sup>00</sup>

**ADD TO CART**

| Volume Pricing |                               |
|----------------|-------------------------------|
| Qty 1+         | C\$35,553.00 each             |
| Need More?     | <a href="#">Request Quote</a> |

### Product Downloads

### General

Digital System **Type:**

**Note:**  
LED illuminator included with the autocollimator operates via 2 AA batteries. [AC Adapter #87-307](#), sold separately, can alternatively be used to provide power.

#### Contents of Kit:

- 1 x Autocollimator Main Body [#87-227](#)
- 1 x Adjustable Stand and Cover [#59-396](#)
- 1 x C-Mount Camera Adapter [#59-398](#)
- 1 x USB Camera [#23-200](#)

## Hardware & Interface Connectivity

**Power Supply:**

Power Supply Required and Sold Separately.

USA: [#87-307](#)

Europe: Not Available

Japan: Not Available

Korea: Not Available

China: Not Available

## Regulatory Compliance

Certificate of Conformance:

[View](#)

## Product Details

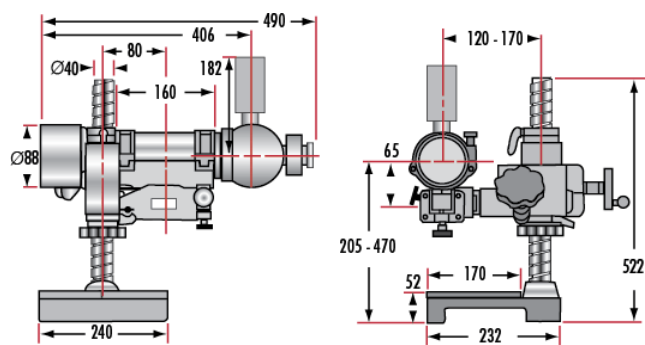
- Complete Video Packages Available
- Darkfield View
- 0.5 Arcsec Resolution
- Fully Adjustable Mount

Autocollimators are a powerful laboratory tool for any optical or precision imaging systems. The autocollimator can be used in a variety of configurations to ensure that there is no angular error in a system. For example, sensors can be aligned with optics, targets, optical mounts or other components in a system. The autocollimator can also be used for measuring the angular accuracy of moving parts such as stages. They are often used to measure the angles within a single optic such as prisms.

This darkfield autocollimator makes it possible to see reflections from very low-reflective plane surfaces, such as camera sensors, at a far distance. This high precision autocollimator has a 70mm aperture, which provides bright and clear reflected images. It also includes a double line reticle for easy and accurate detection. For comfortable viewing, the viewer can also be rotated.

An optically flat reference mirror is available for aligning non-reflective surfaces. AC-Mount camera adapter can replace the eyepiece and allow the view field image to be displayed on a monitor or saved to a computer. The digital package is available to provide a complete "out-of-the-box" video system with USB output. This package includes the LED autocollimator, stand and cover, camera, C-Mount camera adapter, and a USB output cable.

## Technical Information



**#87-306: Digital System**

|                            |                         |
|----------------------------|-------------------------|
| Autocollimator Main Body   | <a href="#">#87-227</a> |
| Adjustable Stand and Cover | <a href="#">#59-396</a> |
| C-mount Camera Adapter     | <a href="#">#59-398</a> |
| USB Monochrome Camera      | <a href="#">#16-507</a> |
| 3m USB Cable               | <a href="#">#37-342</a> |

**#19-723: Digital System**

|                            |                         |
|----------------------------|-------------------------|
| Autocollimator Main Body   | <a href="#">#87-227</a> |
| Adjustable Stand and Cover | <a href="#">#59-396</a> |
| C-mount Camera Adapter     | <a href="#">#59-398</a> |
| GigE Monochrome Camera     | <a href="#">#16-465</a> |
| 5m USB Cable               | <a href="#">#63-863</a> |