

E-Series 30mm ID Adapter



E-Series 30mm ID Adapter (#18-289)



Stock #18-289 **16 In Stock**

C\$33⁰⁰

ADD TO CART

| Volume Pricing | |
|----------------|-------------------------------|
| Qty 1-9 | C\$33.60 each |
| Qty 10+ | C\$32.20 each |
| Need More? | Request Quote |

Product Downloads

General

Fixed Type:

Physical & Mechanical Properties

30 Inner Diameter (mm):

Dimensions (mm):

56 Dia.

Thickness (mm):
18.50

Construction:
Black Anodized Aluminum

Size of Compatible Mount (mm):
50.8mm Dia. Optic Mounts

Regulatory Compliance

RoHS 2015:
[Compliant](#)

Certificate of Conformance:
[View](#)

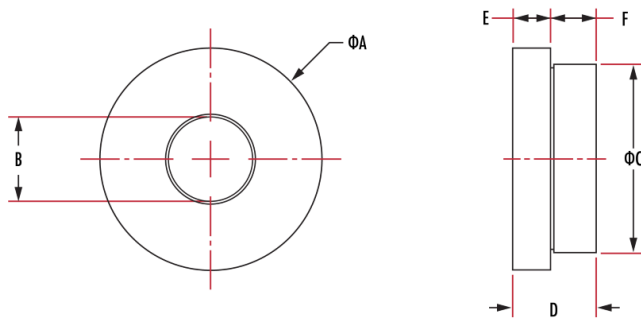
Reach 250:
[Compliant](#)

Product Details

- Adapt Kinematic or [Fixed Mirror Mounts](#) into [Tube Threaded Mounts](#)
- Available with [S-Mount](#), [C-Mount](#), [T-Mount](#), [SM05](#), [SM1](#), and [SM2](#) Threads
- Thru-Hole Versions Available for [Multi-Element Tube System](#) Components

E-Series Kinematic Mount Threaded Adapters are a simple way to turn any standard kinematic or fixed mirror mount into a threaded mount. Featuring common threads compatible with our [S-, C-, and T-Mount Tube System](#), [ID Tube System](#), and [Multi-Element \(ME\) Tube System](#), these adapters allow optical components from 3mm to 50.8mm diameter to be easily integrated with our [E-Series Kinematic Optical Mirror Mounts](#). Thru-hole adapters compatible with 30mm C-Mount Barrels, ID1 Lens Tubes, ME Tubes, and [Coherent® StingRay™ and BioRay™ Laser Diode Modules](#) are also available for added flexibility in building optical systems. E-Series Kinematic Mount Threaded Adapters are a cost-effective solution to add versatility to an optical system.

Technical Information



| Dimensions (mm) | | | | | | |
|-----------------|-----------|---------|-----------|-------|-------|-------|
| Stock Number | A | B | C | D | E | F |
| 18-282 | 30 Dia. | S-Mount | 25.4 Dia. | 11.20 | 5.00 | 5.70 |
| 18-283 | 56 Dia. | C-Mount | 50.8 Dia. | 16.50 | 8.00 | 8.00 |
| 18-284 | 56 Dia. | T-Mount | 50.8 Dia. | 16.50 | 8.00 | 8.00 |
| 18-285 | 30 Dia. | SM05 | 25.4 Dia. | 11.20 | 5.00 | 5.70 |
| 18-286 | 56 Dia. | SM1 | 50.8 Dia. | 16.50 | 8.00 | 8.00 |
| 18-287 | 84 Dia. | SM2 | 76.2 Dia. | 19.50 | 8.00 | 11.00 |
| 18-289 | 56 Dia. | 30 | 50.8 Dia. | 18.50 | 10.00 | 8.00 |
| 18-291 | 29.9 Dia. | 19.1 | 25.4 Dia. | 21.00 | 15.00 | 5.50 |