

## E-Series T-Mount Adapter



E-Series T-Mount Adapter (#18-284)



Stock **#18-284** **20+ In Stock**

C\$33<sup>00</sup>

**ADD TO CART**

Volume Pricing	
Qty 1-9	C\$33.60 each
Qty 10+	C\$32.20 each
Need More?	<a href="#">Request Quote</a>

### Product Downloads

### General

Fixed **Type:**

### Physical & Mechanical Properties

T-Mount **Inner Diameter (mm):**

**Dimensions (mm):**

56 Dia.

Thickness (mm):  
16.50

Construction:  
Black Anodized Aluminum

Size of Compatible Mount (mm):  
50.8mm Dia. Optic Mounts

## Regulatory Compliance

RoHS 2015:  
[Compliant](#)

Certificate of Conformance:  
[View](#)

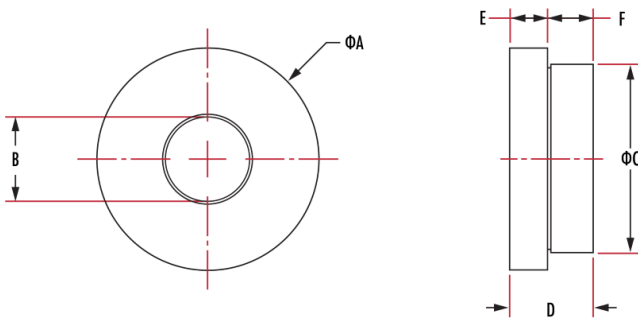
Reach 250:  
[Compliant](#)

## Product Details

- Adapt Kinematic or [Fixed Mirror Mounts](#) into [Tube Threaded Mounts](#)
- Available with [S-Mount](#), [C-Mount](#), [T-Mount](#), [SM05](#), [SM1](#), and [SM2](#) Threads
- Thru-Hole Versions Available for [Multi-Element Tube System](#) Components

E-Series Kinematic Mount Threaded Adapters are a simple way to turn any standard kinematic or fixed mirror mount into a threaded mount. Featuring common threads compatible with our [S-, C-, and T-Mount Tube System](#), [ID Tube System](#), and [Multi-Element \(ME\) Tube System](#), these adapters allow optical components from 3mm to 50.8mm diameter to be easily integrated with our [E-Series Kinematic Optical Mirror Mounts](#). Thru-hole adapters compatible with 30mm C-Mount Barrels, ID1 Lens Tubes, ME Tubes, and [Coherent® StingRay™ and BioRay™ Laser Diode Modules](#) are also available for added flexibility in building optical systems. E-Series Kinematic Mount Threaded Adapters are a cost-effective solution to add versatility to an optical system.

## Technical Information



Dimensions (mm)						
Stock Number	A	B	C	D	E	F
18-282	30 Dia.	S-Mount	25.4 Dia.	11.20	5.00	5.70
18-283	56 Dia.	C-Mount	50.8 Dia.	16.50	8.00	8.00
18-284	56 Dia.	T-Mount	50.8 Dia.	16.50	8.00	8.00
18-285	30 Dia.	SM05	25.4 Dia.	11.20	5.00	5.70
18-286	56 Dia.	SM1	50.8 Dia.	16.50	8.00	8.00
18-287	84 Dia.	SM2	76.2 Dia.	19.50	8.00	11.00
18-289	56 Dia.	30	50.8 Dia.	18.50	10.0	8.00
18-291	29.9 Dia.	19.1	25.4 Dia.	21.00	15.00	5.50