

GigE Digital Package, Nikon Autocollimator

See More by [Nikon](#)



Nikon High Precision Autocollimator (shown with stand #59-396, sold separately)

Stock **#19-723** [CONTACT US](#)

⊖ 1 ⊕ C\$36,113⁰⁰

ADD TO CART

Volume Pricing	
Qty 1+	C\$36,113.00 each
Need More?	Request Quote

Product Downloads

General

Digital System **Type:**

Note:
LED illuminator included with the autocollimator operates via 2 AA batteries. [AC Adapter #87-307](#), sold separately, can alternatively be used to provide power.

Contents of Kit:

- 1 x Autocollimator Main Body [#87-227](#)
- 1 x Adjustable Stand and Cover [#59-396](#)
- 1 x C-Mount Camera Adapter [#59-398](#)
- 1 x GigE Camera [#16-465](#)

Hardware & Interface Connectivity

Power Supply:

Power Supply Required and Sold Separately.

USA: #87-307

Europe: Not Available

Japan: Not Available

Korea: Not Available

China: Not Available

Regulatory Compliance

Certificate of Conformance:

[View](#)

Product Details

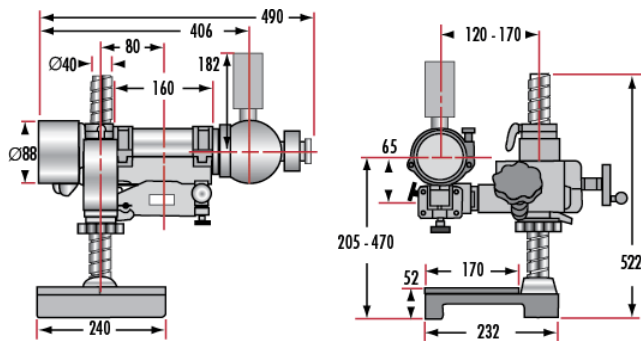
- Complete Video Packages Available
- Darkfield View
- 0.5 Arcsec Resolution
- Fully Adjustable Mount

Autocollimators are a powerful laboratory tool for any optical or precision imaging systems. The autocollimator can be used in a variety of configurations to ensure that there is no angular error in a system. For example, sensors can be aligned with optics, targets, optical mounts or other components in a system. The autocollimator can also be used for measuring the angular accuracy of moving parts such as stages. They are often used to measure the angles within a single optic such as prisms.

This darkfield autocollimator makes it possible to see reflections from very low-reflective plane surfaces, such as camera sensors, at a far distance. This high precision autocollimator has a 70mm aperture, which provides bright and clear reflected images. It also includes a double line reticle for easy and accurate detection. For comfortable viewing, the viewer can also be rotated.

An optically flat reference mirror is available for aligning non-reflective surfaces. A C-Mount camera adapter can replace the eyepiece and allow the view field image to be displayed on a monitor or saved to a computer. The digital package is available to provide a complete "out-of-the-box" video system with USB output. This package includes the LED autocollimator, stand and cover, camera, C-Mount camera adapter, and a USB output cable.

Technical Information



#87-306: Digital System

Autocollimator Main Body	#87-227
Adjustable Stand and Cover	#59-396
C-mount Camera Adapter	#59-398
USB Monochrome Camera	#16-507
3m USB Cable	#37-342

#19-723: Digital System

Autocollimator Main Body	#87-227
Adjustable Stand and Cover	#59-396
C-mount Camera Adapter	#59-398
GigE Monochrome Camera	#16-465
5m USB Cable	#63-863