

## Glan-Laser Polarizer 200 - 350nm, 12.7mm



Glan-Laser Polarizer

Stock #89-554 **4 In Stock**

C\$2,226<sup>00</sup>

**ADD TO CART**

Volume Pricing	
Qty 1-5	C\$2,226.00 each
Qty 6+	C\$2,044.00 each
Need More?	<a href="#">Request Quote</a>

### Product Downloads

#### General

Linear Polarizer **Type:**

#### Physical & Mechanical Properties

12.7 **Clear Aperture CA (mm):**

25.40 **Diameter (mm):**

**Length (mm):**

31.50

Crystalline Glan-Laser Polarizer

**Construction:**

**Optical Properties**

Single Layer MgF<sub>2</sub>

**Coating:**

<5 x 10<sup>-6</sup>

**Extinction Ratio:**

α-BBO

**Substrate:**

20-10

**Surface Quality:**

λ/2 @ 632.8nm

**Transmitted Wavefront, P-V:**

<3

**Beam Deviation (arcmin):**

λ/4 @ 632.8 nm

**Transmitted Wavefront Distortion (RMS):**

200 - 350

**Wavelength Range (nm):**

5 J/cm<sup>2</sup> @ 1064nm, 10ns, 10Hz

**Damage Threshold, By Design:**

**Regulatory Compliance**

Compliant

**RoHS 2015:**

View

**Certificate of Conformance:**

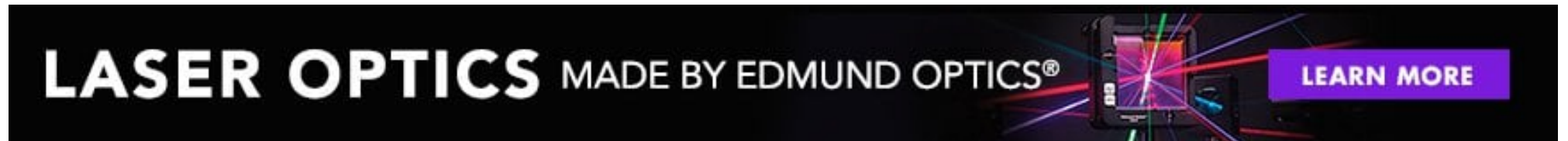
Compliant

**Reach 247:**

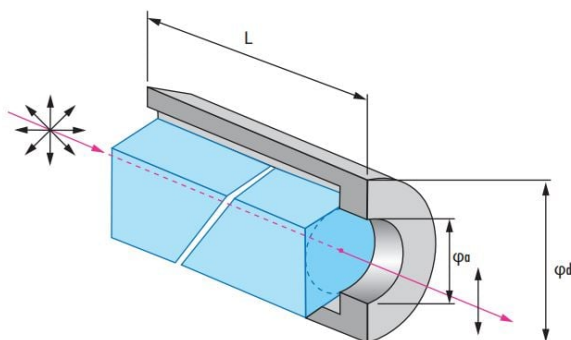
**Product Details**

- High Extinction Ratios up to 200 000:1
- High Laser Damage Thresholds up to 5 J/cm<sup>2</sup> @ 1064nm

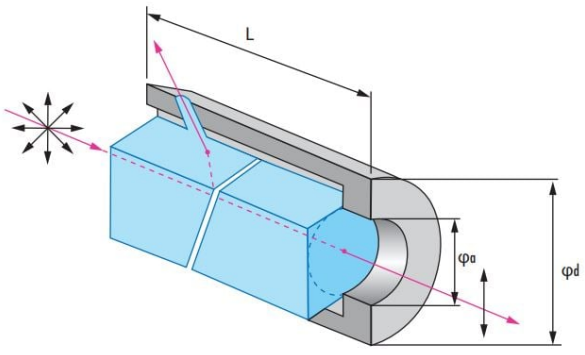
Glan-Type Polarizers are mounted, polarizing prisms used in applications that require broad spectral ranges, high extinction ratios, or high polarization purities. Glan-Taylor Polarizers are medium-power, air-spaced UV to NIR polarizers that transmit the extraordinary beam. The ordinary beam is then reflected and absorbed by black glass plates that have been cemented to the prism. Glan-Laser Polarizers are similar to Glan-Taylor, but are designed for higher power applications and appropriate for use in Q-switched laser cavities. Glan-Laser Polarizers utilize an advanced polishing technique for minimizing surface scatter and feature two escape windows for passing the high power rejected light. Glan-Thompson Polarizers are low power polarizers that are ideal for UV, visible, or NIR applications, feature a cemented design, and transmit the extraordinary beam while absorbing the reflected ordinary beam.



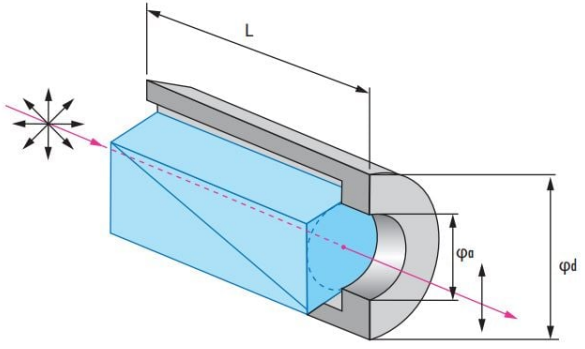
**Technical Information**



Glan-Taylor Polarizers



*Glan-Laser Polarizers*



*Glan-Thompson Polarizers*

;