

## Glan-Laser Polarizer 200 - 350nm, 12.7mm



Glan-Laser Polarizer

Stock **#89-554** **4 In Stock**

⊖ 1 ⊕ C\$2,226<sup>00</sup>

**ADD TO CART**

### Volume Pricing

|            |                               |
|------------|-------------------------------|
| Qty 1-5    | C\$2,226.00 each              |
| Qty 6+     | C\$2,044.00 each              |
| Need More? | <a href="#">Request Quote</a> |

### Product Downloads

### General

Linear Polarizer **Type:**

### Physical & Mechanical Properties

12.7 **Clear Aperture CA (mm):**

25.40 **Diameter (mm):**

**Length (mm):**

Crystalline Glan-Laser Polarizer

**Construction:****Optical Properties**

Single Layer MgF<sub>2</sub>

**Coating:**

<5 x 10<sup>-6</sup>

**Extinction Ratio:**

α-BBO

**Substrate:** 

20-10

**Surface Quality:**

λ/2 @ 632.8nm

**Transmitted Wavefront, P-V:**

<3

**Beam Deviation (arcmin):**

λ/4 @ 632.8 nm

**Transmitted Wavefront Distortion (RMS):**

200 - 350

**Wavelength Range (nm):**

5 J/cm<sup>2</sup> @ 1064nm, 10ns, 10Hz

**Damage Threshold, By Design:** **Regulatory Compliance**

Compliant

**RoHS 2015:**

View

**Certificate of Conformance:**

Compliant

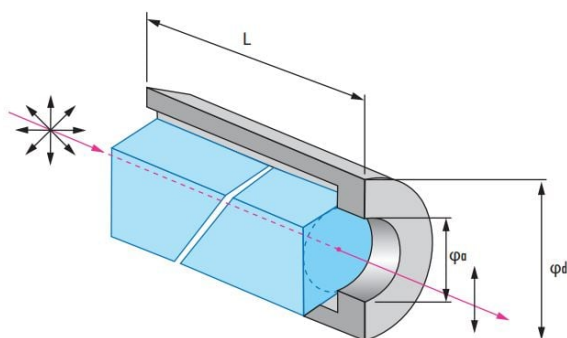
**Reach 247:****Product Details**

- High Extinction Ratios up to 200 000:1
- High Laser Damage Thresholds up to 5 J/cm<sup>2</sup> @ 1064nm

Glan-Type Polarizers are mounted, polarizing prisms used in applications that require broad spectral ranges, high extinction ratios, or high polarization purities. Glan-Taylor Polarizers are medium-power, air-spaced UV to NIR polarizers that transmit the extraordinary beam. The ordinary beam is then reflected and absorbed by black glass plates that have been cemented to the prism. Glan-Laser Polarizers are similar to Glan-Taylor, but are designed for higher power applications and appropriate for use in Q-switched laser cavities. Glan-Laser Polarizers utilize an advanced polishing technique for minimizing surface scatter and feature two escape windows for passing the high power rejected light. Glan-Thompson Polarizers are low power polarizers that are ideal for UV, visible, or NIR applications, feature a cemented design, and transmit the extraordinary beam while absorbing the reflected ordinary beam.

**LASER OPTICS** MADE BY EDMUND OPTICS®

[LEARN MORE](#)

**Technical Information**

Glan-Taylor Polarizers



*Glan-Laser Polarizers*



*Glan-Thompson Polarizers*