

Glan-Laser Polarizer 200 - 350nm, 8mm



Glan-Laser Polarizer

Stock **#89-553** **1 In Stock**

⊖ 1 ⊕ C\$1,729⁰⁰

ADD TO CART

Volume Pricing	
Qty 1-5	C\$1,729.00 each
Qty 6+	C\$1,589.00 each
Need More?	Request Quote

Product Downloads

General

Linear Polarizer **Type:**

Physical & Mechanical Properties

8.0 **Clear Aperture CA (mm):**

25.40 **Diameter (mm):**

Length (mm):

31.00

Construction:

Crystalline Glan-Laser Polarizer

Optical Properties

Coating:

Single Layer MgF₂

Extinction Ratio:

<5 x 10⁻⁶

Substrate:

α-BBO

Surface Quality:

20-10

Transmitted Wavefront, P-V:

λ/2 @ 632.8nm

Beam Deviation (arcmin):

<3

Transmitted Wavefront Distortion (RMS):

λ/4 @ 632.8 nm

Wavelength Range (nm):

200 - 350

Damage Threshold, By Design:

5 J/cm² @ 1064nm, 10ns, 10Hz

Regulatory Compliance

RoHS 2015:

[Compliant](#)

Certificate of Conformance:

[View](#)

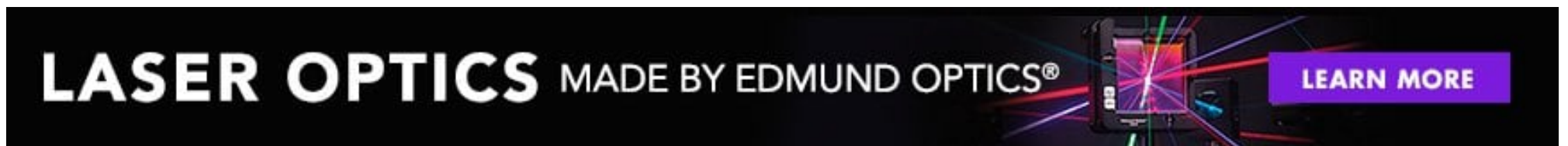
Reach 247:

[Compliant](#)

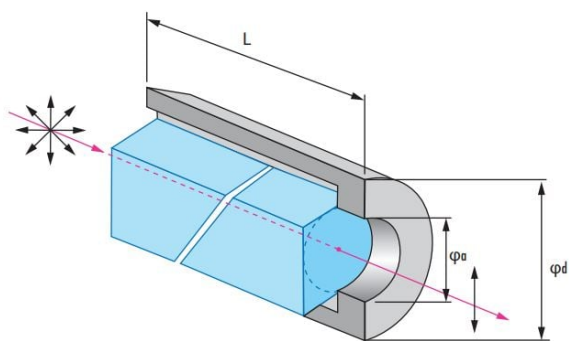
Product Details

- High Extinction Ratios up to 200 000:1
- High Laser Damage Thresholds up to 5 J/cm² @ 1064nm

Glan-Type Polarizers are mounted, polarizing prisms used in applications that require broad spectral ranges, high extinction ratios, or high polarization purities. Glan-Taylor Polarizers are medium-power, air-spaced UV to NIR polarizers that transmit the extraordinary beam. The ordinary beam is then reflected and absorbed by black glass plates that have been cemented to the prism. Glan-Laser Polarizers are similar to Glan-Taylor, but are designed for higher power applications and appropriate for use in Q-switched laser cavities. Glan-Laser Polarizers utilize an advanced polishing technique for minimizing surface scatter and feature two escape windows for passing the high power rejected light. Glan-Thompson Polarizers are low power polarizers that are ideal for UV, visible, or NIR applications, feature a cemented design, and transmit the extraordinary beam while absorbing the reflected ordinary beam.



Technical Information



Glan-Taylor Polarizers



Glan-Laser Polarizers



Glan-Thompson Polarizers