

[See all 76 Products in Family](#)

**TECHSPEC® Filter Adapter M30.5 x 0.5 from M25.5 x 0.5 (Female)**



#89-942

Stock **#89-942** **20+ In Stock**

- 1 + C\$48<sup>00</sup>

**ADD TO CART**

Volume Pricing

|            |                               |
|------------|-------------------------------|
| Qty 1+     | C\$48.65 each                 |
| Need More? | <a href="#">Request Quote</a> |

Product Downloads

**General**

Lens Accessory **Type:**

**Physical & Mechanical Properties**

32.00 **Outer Diameter (mm):**

7.50 **Thickness (mm):**

23.00 **Clear Aperture CA (mm):**

## Threading & Mounting

|                       |                       |
|-----------------------|-----------------------|
| M30.5 x 0.50 (Female) | <b>Filter Thread:</b> |
| M25.5 x 0.5 (Female)  | <b>Front Thread:</b>  |

## Regulatory Compliance

|                           |                                    |
|---------------------------|------------------------------------|
| <a href="#">Compliant</a> | <b>Reach 223:</b>                  |
| <a href="#">View</a>      | <b>Certificate of Conformance:</b> |

## Product Details

Compatible with all 35mm focal length compact instrumentation lenses

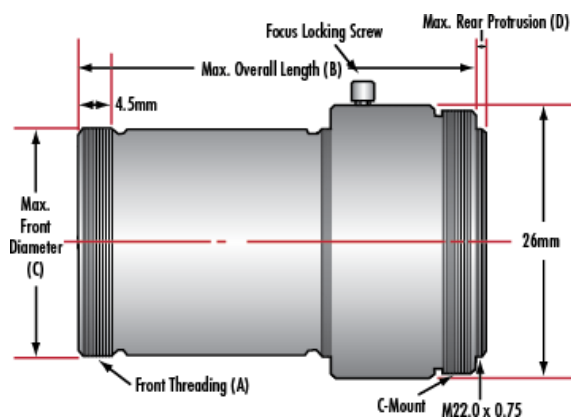
- Up to 2/3", C-Mount Lens
- Up to 7.5 MegaPixels, 2.8µm Pixel Size Sensors
- Instrumentation (Ci) Versions of our C Series Lenses with Streamlined Mechanical Designs and Fixed Apertures
- 3.5mm to 50mm Focal Length
- [Ruggedized \(Cr\) Designs](#) Also Available

TECHSPEC® Ci Series Fixed Focal Length Lenses are a streamlined version of our C Series Fixed Focal Length Lenses. They feature the same low lens-to-lens variation and broadband anti-reflection (BBAR) coating for maximum light transmission, while offering reduced weight and size. An adjustable, lockable focus allows for setting and locking the best focus position for instrumentation integration. TECHSPEC® Ci Series Fixed Focal Length Lenses are designed specifically for volume integration into applications such as factory inspection and automation to benchtop biomedical devices. The Ci Series offers a wide range of aperture options, ensuring maximum flexibility of resolution, throughput, and depth of field.

Edmund Optics has created a family of high performance optical designs (the C Series family) and developed 6 customized optomechanical solutions targeted for specific applications. These lens sub-families utilize the same optics as the C Series lenses providing the same optical performance in a variety of optomechanical solutions to meet your application requirements:

- **C Series:** Features locking cam focus and iris adjustment and is the most adjustable version of these optical designs; they are the typical high quality machine vision lenses. Also available with a [VIS-NIR Broadband Anti-Reflection \(BBAR\) Coating](#).
- **Ci Series:** Simplified mechanics featuring fixed apertures with compact housing. [Industrial Ruggedization](#) for reduced size, cost, and locked focus.
- **Cr Series:** All optics glued in place and a locking C-clamp focus ring. [Stabilized Ruggedization](#) for reduced pixel shift and improved focus stability.
- **Cx Series:** Modular, flexible mechanics allows lenses to be taken apart for easy integration of accessories such as liquid lenses, apertures, and more.
- **Liquid Lens Cx Series:** Designed with an integrated liquid lens for quick autofocus.
- **Cw Series:** Waterproof, designed to meet IEC [Ingress Protection](#) Code IPX7 and IPX9K.

## Technical Information



| Focal Length | A            | B      | C      | D      |
|--------------|--------------|--------|--------|--------|
| 6mm          | M34.0 x 0.5  | 47.8mm | 34mm   | 1.17mm |
| 12mm         | M22.0 x 0.75 | 29.0mm | 22mm   | 0.96mm |
| 16mm         | M22.0 x 0.75 | 40.8mm | 22mm   | 1.09mm |
| 25mm         | M22.0 x 0.75 | 29.9mm | 22mm   | 1.33mm |
| 35mm         | M25.5 x 0.5  | 41mm   | 22.5mm | 3.82mm |
| 50mm         | M30.5 x 0.5  | 49.5mm | 30.5mm | 2.06mm |

