

TECHSPEC® Mounting Clamp for 1 - 3X Research-Grade Variable Beam Expander



Mounting Clamp for 1 - 3X Research-Grade Variable Beam Expander, #89-294

Stock **#89-294** **16 In Stock**

- 1 + C\$267⁰⁰

ADD TO CART

| Volume Pricing | |
|----------------|-------------------------------|
| Qty 1-4 | C\$267.40 each |
| Qty 5-24 | C\$235.20 each |
| Qty 25-99 | C\$212.80 each |
| Need More? | Request Quote |

Product Downloads

General

Mounting Clamp **Type:**

Regulatory Compliance

Compliant **RoHS 2015:**

Certificate of Conformance:

Product Details

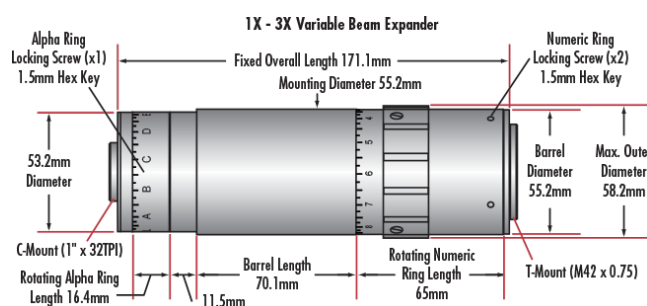
- 1X– 3X and 2X– 8X Variable Magnification
- Non-Rotating Lenses Minimize Beam Wander
- Compact Galilean Designs with Fixed Housing Length
- [TECHSPEC® Draconis® Broadband Beam Expanders](#) Also Available

TECHSPEC® Research-Grade Variable Beam Expanders (RVBX) are ideal for high power laser applications where magnification changes may be required, such as prototyping or R&D. TECHSPEC Research-Grade Variable Beam Expanders feature $\lambda/4$ transmitted wavefront, Galilean designs, and high laser damage threshold AR coatings to ensure maximum transmittance while minimizing ghost reflections. Additionally, these beam expanders use internal translation and focusing mechanisms to variable adjust magnification and laser divergence without affecting overall housing length. This compact design removes the need to make system accommodations for changes in length and eases system integration.

TECHSPEC Research-Grade Variable Beam Expanders can be used to determine a system's required beam magnification in the prototyping phase of development. [TECHSPEC® Draconis® Broadband Beam Expanders](#) are available for production or OEM implementation. Please contact our [Sales Department](#) for custom magnification requirements.



Technical Information



| Design Wavelength | Stock No. | Fixed Overall Length A (mm) | Mounting Length E (mm) | Rotating Numerical Ring Length F (mm) | Rotating Alpha Ring Length G (mm) |
|-----------------------|-------------------------|-----------------------------|------------------------|---------------------------------------|-----------------------------------|
| 355nm | #87-566 | 169.7 | 35.9 | 90.7 | 19.4 |
| 532nm | #87-567 | 169.3 | 31.5 | 70.4 | 43.7 |
| Broadband VS (633nm) | #87-569 | 169.3 | 31.5 | 70.4 | 43.7 |
| Broadband NIR (785nm) | #87-570 | 169.3 | 31.5 | 70.4 | 43.7 |
| 1064nm | #87-568 | 169.3 | 31.5 | 70.4 | 43.7 |

2X - 8X Variable Beam Expander

