

# Nikon Autocollimator LED Main Body

See More by [Nikon](#)



Nikon High Precision Autocollimator (shown with stand #59-396, sold separately)

Stock **#87-227** **3 In Stock**

⊖ 1 ⊕ C\$19,593<sup>00</sup>

**ADD TO CART**

Volume Pricing	
Qty 1+	C\$19,593.00 each
Need More?	<a href="#">Request Quote</a>

## Product Downloads

### General

30 arcmin (vertical & horizontal axes) **Range:**

Darkfield (bright crosshair) **Type:**

Nikon Autocollimator 6D-LED **Model Number:**

0.3 W White LED **Light Source Included:**

### Physical & Mechanical Properties

32 (including stand #59-396)	<b>Weight (kg):</b>
0.5 over 5 arcmin range 1 over 30 arcmin range	<b>Accuracy (arcsec):</b>
70.00	<b>Aperture (mm):</b>
522.00	<b>Height (mm):</b>
492.20	<b>Length (mm):</b>
70mm	<b>Aperture Size:</b>

## Optical Properties

38X	<b>Magnification:</b>
700.00	<b>Focal Length FL (mm):</b>

## Hardware & Interface Connectivity

<b>Power Supply:</b> Power Supply Required and Sold Separately: USA: <a href="#">#87-307</a> Europe: Not Available Japan: Not Available Korea: Not Available China: Not Available
---

## Regulatory Compliance

<a href="#">View</a>	<b>Certificate of Conformance:</b>
<a href="#">Contains SVHC(s)</a>	<b>REACH 241:</b>

## Product Details

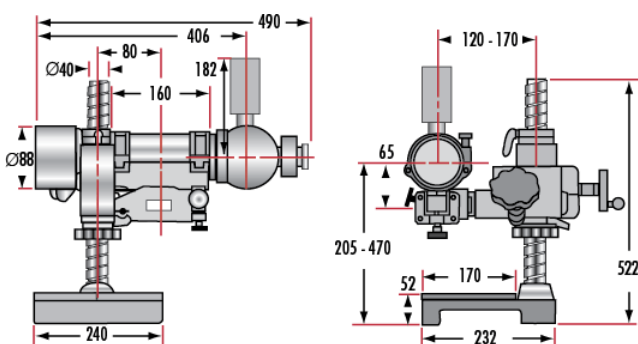
- Complete Video Packages Available
- Darkfield View
- 0.5 Arcsec Resolution
- Fully Adjustable Mount

Autocollimators are a powerful laboratory tool for any optical or precision imaging systems. The autocollimator can be used in a variety of configurations to ensure that there is no angular error in a system. For example, sensors can be aligned with optics, targets, optical mounts or other components in a system. The autocollimator can also be used for measuring the angular accuracy of moving parts such as stages. They are often used to measure the angles within a single optic such as prisms.

This darkfield autocollimator makes it possible to see reflections from very low-reflective plane surfaces, such as camera sensors, at a far distance. This high precision autocollimator has a 70mm aperture, which provides bright and clear reflected images. It also includes a double line reticle for easy and accurate detection. For comfortable viewing, the viewer can also be rotated.

An optically flat reference mirror is available for aligning non-reflective surfaces. A C-Mount camera adapter can replace the eyepiece and allow the view field image to be displayed on a monitor or saved to a computer. The digital package is available to provide a complete "out-of-the-box" video system with USB output. This package includes the LED autocollimator, stand and cover, camera, C-Mount camera adapter, and a USB output cable.

## Technical Information



#87-306: Digital System	
Autocollimator Main Body	<a href="#">#87-227</a>
Adjustable Stand and Cover	<a href="#">#59-396</a>
C-mount Camera Adapter	<a href="#">#59-398</a>
USB Monochrome Camera	<a href="#">#16-507</a>
3m USB Cable	<a href="#">#37-342</a>

#19-723: Digital System	
Autocollimator Main Body	<a href="#">#87-227</a>
Adjustable Stand and Cover	<a href="#">#59-396</a>
C-mount Camera Adapter	<a href="#">#59-398</a>
GigE Monochrome Camera	<a href="#">#16-465</a>

5m USB Cable

[#63-863](#)

---

;