

[See all 10 Products in Family](#)

Nikon Type F Non-Fluorescing 30ml PCB Free Immersion Oil

See More by [Nikon](#)



Stock #75-384 NEW CONTACT US

⊖ 1 ⊕ C\$268⁰⁰

ADD TO CART

Volume Pricing	
Qty 1+	C\$268.80 each
Need More?	Request Quote

Product Downloads

General

Nikon **Manufacturer:**

Optical Properties

1.518 **Index of Refraction (n_d):**

41 **Abbe Number (v_d):**

Environmental & Durability Factors

23 **Operating Temperature (°C):**

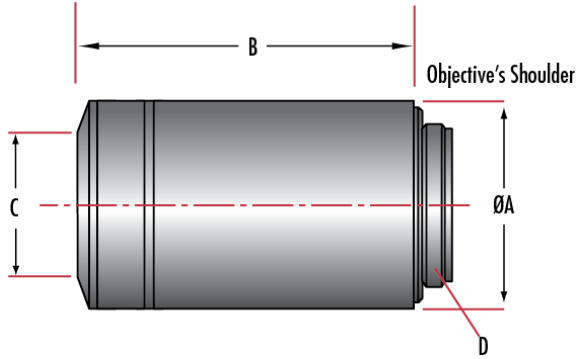
Regulatory Compliance

Product Details

- Superior UV Transmission
- High Numerical Aperture Designs
- Feature Low Auto-Fluorescence Materials

Nikon CFI Super Fluor Objectives are designed to provide superior transmission to ultraviolet applications operating down to 340nm, including for use with fluorochromes indo-1, fura-2, and fluo-3, or for photo-activation of caged compounds. Nikon CFI Super Fluor Objectives are designed using low auto-fluorescence materials along with high numerical apertures to guarantee sharp, bright fluorescence images. These microscope objectives have been optimized for improved signal-to-noise ratios at short wavelengths.

Technical Information



Dimensions (mm)						
Stock No.	Magnification	Parafocal Length	A	B	C	D
#88-374	4X	60.06	30.0	44.4	19.7	M25 x0
#88-375	10X	60.06	32.0	58.7	8.0	M25 x0
#88-376	20X	60.06	33.5	58.9	9.0	M25 x0
#88-377	40X	60.06	33.0	59.6	7.5	M25 x0